

Equiplite®

Catalog 2024

Equiplite®

The ultimate yachting appliances



INTRO

Since the beginning of Equiplite® in early 2001, we have delivered a unique combination of advanced-technology with Dyneema® Synthetics and a timeless design.

BEYOND SYNTHETIC

As a result our company is one of the world leaders in sailboat synthetic hardware. Our objective is to make certified synthetic hardware that is lighter, more compact, and more durable, with the highest breaking strength and the lowest elongation. Sailors have long recognized the dominance of Equiplite® at the highest levels of our sport, such as the America's Cup and Superyacht Cup. This dominance has made it possible to invest in research and development and has resulted in the NEXt generation deck, sail and running rigging hardware. Innovation is part of our DNA. Therefore we work with talented professionals from the sailing industry to develop products that excel in functionality, appearance and usability.

That is how the new innovative core of Equiplite® originated. In the catalogue you will find the outcome of years of experience and development.

When performance matters, the choice is clear.

Lourens Poorter

A handwritten signature in black ink, appearing to read 'Lourens Poorter', written over a faint circular stamp or watermark.

INDEX

INNOVATION AND PRODUCTION	10
THE QUALITY YOU ARE USED TO	11
MAINTENANCE MANAGEMENT SYSTEM	12
CUSTOMER SUPPORT	13
FIBER CERTIFICAITON	13
NON-SWIVELING CONNECTORS	15
NS Connectors	15
Measurement Sheet	17
4GNS Connector	19
Measurement Sheet	21
SWIVELING CONNECTORS	23
SWlv CP	24
SWlv GP	24
Measurement Sheet	25
CORE BLOCKS	27
CB Quick Style	30
CB 360 Style	30
CB Lashing Style	31
CB Lead Model	32
CB Upstand Model	33
GCB™(SPB) Next Topmodel	35
Measurement sheet	36
Measurement sheet GCB	38
PAD EYES	41
Pad-i Lead	42
Pad-i Upstand	42
Measurement Sheet	43
FURLING SYSTEM	45
Top Swivel	45
Lion	47
1:1	47
2:1	47
Measurement Sheet	47
MULTI-PURPOSE SYSTEM	49
In-Focker	49
Measurement Sheet	51
3D-Ti	52
Measurement Sheet	53
SOFT LOOPS	55
3D 360 loop	55
Measurement Sheet	57
3D-LT Quick Loop	59
Measurement Sheet	61
HANKS	63
Soft Sailhank	63
Measurement Sheet	65
DAMAGE PREVENTERS	66
Do-Nutt	66
Measurement Sheet	67
LYnkMe™	69
TOOLS	79
SPARE PARTS	83

INNOVATION AND PRODUCTION

We are committed to the optimisation of the latest development in performance of sail and deck layout aspects of the yachts, be it weight, handling or systems. We are focussed on finding solutions and surpassing expectations.

Equiplite® brings a new core to its product range. The core with a new vision in synthetic technology. With new high-quality materials and technologies like 3D printing & 3D Carbon heat pressing we have made it possible to develop a completely redesigned product range that goes beyond all expectations.

The new multifunctional components make it possible to optimize all deck and running rigging hardware. With this modular design, we have created high serviceability.

THE QUALITY YOU ARE USED TO

Innovation is not always easy to see, but this one is. Our fiber loops are fully covered with protective fibers.

The use of the black in Black Dyneema® is integral to the fiber. It's not only on the surface, but runs all the way through. The cover extends the life length and ensures the consistent quality and aesthetics of the Equiplite® SK fiber loop.



MAINTENANCE MANAGEMENT SYSTEM

Purchasing an Equiplite® product means choosing the best and lightest hardware available. Undoubtedly, maintaining the products to the highest possible standard is of the utmost importance.

Maintenance of the Equiplite® product is the foundation of a well managed yacht . Equiplite® is able to provide a customized worldwide service program to support the yacht's Equiplite® soft & hardware. This reduces lost sailing time and high costs.

Professional servicing remains a key part in maintaining your product. To properly carry out the maintenance, we have created a platform from where we run our Maintenance Management system. This system makes use of RFID technology.

Identifying a product and determining its strength has been a difficult concern, demanding knowledge and administration of its user as well as intricate manual's, certification's and position on super yachts. An identification chip (RFID) will improve the management of all our synthetic & hardware products, just by scanning it with a mobile phone or RFID-scanner.

A maintenance contract ensures our commitment to continuous improvement and a process-orientated approach to safety and reinsurance. RFID for Equiplite®, an integrate solution to improve identification, maintenance history, position and more.



CUSTOMER SUPPORT

Equiplite® provides a complete after-sales support service team. Equiplite® Globale servicepoint's or supplier's are able to assist in response to all customer requirements. The team is able to respond quickly and provide additional fittings overnight during a race period.

FIBER CERTIFICATION

We make the way you're used to connecting more convenient and certificate approved. That is why all our products are factory certified and can be additional supplied with a certificate issued by a ISO9001-VCA-EKH certified company. This certificate guarantees the maximum workloads.

Professional servicing remains a key part of the yacht's maintenance program. Adding the certificate to a yacht management system guarantees close record keeping and the approval of marine surveyors and insurance companies.



NON-SWIVELING CONNECTORS

NS Connector

reliable connections



RELIABLE CONNECTIONS

It's not just a simple Soft Quick connector, the NS connector is an issue solver. Main important issues are solved with this system that becomes an extension of the spliced rope.

The NS Connector has a high tensile aluminum body and the Dyneema® loop is full covered. As a result, the connector has an unparalleled impact and abrasion resistance.

No snug fitting splice on the body needed to stabilize the connector. That makes it possible to service the connector without taking the line off the ship.

The NS Connector does not have a self tightening or jamming action and it's more compact, lighter and easier to operate compared to a "dog bone".



USED ON:
 Main halyard
 Jib sheets
 Stay sail sheets
 Genoa sheets
 Gennaker sheets
 Guys
 Runner 2:1 dead ends
 Outhall system
 Lifting applications

A SOLID SOLUTION WITH APPROVED SYNTHETIC CERTIFICATE

We consider safety on board is very important. Therefore, the connectors can be additionally supplied with a certificate issued by a ISO9001-VCA-EKH certified company.

This certificate guarantees the maximum workloads.

Adding the certificate to a yacht management system guarantees close record keeping and the approval of marine surveyors and insurance companies.



MEASUREMENT SHEET



* Use recommended line size
 Splice eye doesn't need a snug fit on the connector body.

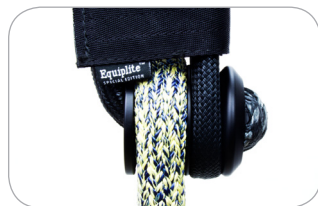
Part	Line (Ø)	T	Ø	W	Ld	Weight (g)	MWL (kg)
6-4 NS	6	20	13	20	10	5	2.200
8-5 NS	8	25	13	22	12	20	3.000
10-6 NS	10	30	15	26	14	35	5.200
12-6 NS	12	30	15	26	14	40	5.200
14-8 NS	14	70	20	35	18	75	7.000
16-10 NS	16	80	24	40	24	145	11.000
18-10 NS	18	100	24	42	24	150	11.000
20-12 NS	20	110	30	48	28	270	14.500
24-12 NS	24	110	33	59	28	275	14.500
26-12 NS	26	120	33	61	28	280	14.500
28-12 NS	28	120	33	63	28	285	14.560
16-14 NS	16	110	40	57	32	265	20.000
20-14 NS	20	110	40	60	32	270	20.000
24-14 NS	24	110	40	66	32	385	20.000
30-14 NS	30	120	40	73	32	390	20.000
32-14 NS	32	120	40	76	32	395	20.000
34-14 NS	34	150	40	86	32	400	20.000
30-16 NS	30	150	49	80	36	470	28.000
32-16 NS	32	150	49	83	36	480	28.000
34-16 NS	34	150	49	86	36	490	28.000
32-18 NS	32	180	55	89	40	1.200	40.000
34-18 NS	34	180	55	92	40	1.250	40.000
35-20 NS	35	180	61	94	44	1.550	50.000
42-22 NS	42	270	70	122	46	1.990	72.000

Dimensions in mm, unless otherwise specified.
 All data is approximate and subject to change without notice.
 Breakload approx 2x maximum workload.

WHEN TO USE THE NS CONNECTOR

The NS connector can be used for all connections between lines and hardware. For example, where you normally use a lashing it is smarter to use the NS connector.

A lashing connection is not approved for a certain breakload. Usually a lot of lashings are required to guarantee the desired breakload. All NS connectors have an approved factory certified breakload, a single NS connector with the desired breakload will suffice and improve on the safety aspects.



Replacement for a lashing connection



Microchip implant - LYnkMe™



Full covered Black Dyneema® loop

NON-SWIVELING CONNECTORS

4GNS Connector

redefining connections



REDEFINING CONNECTIONS

The new 4GNS connector will be redefining connections on key positions. It's the answer to yachts increasing in size and complexity asking for more safety, plug-and-play installation and easy to service.

USED ON:

- Genoa sheets
- Stay sail sheets
- Main halyard

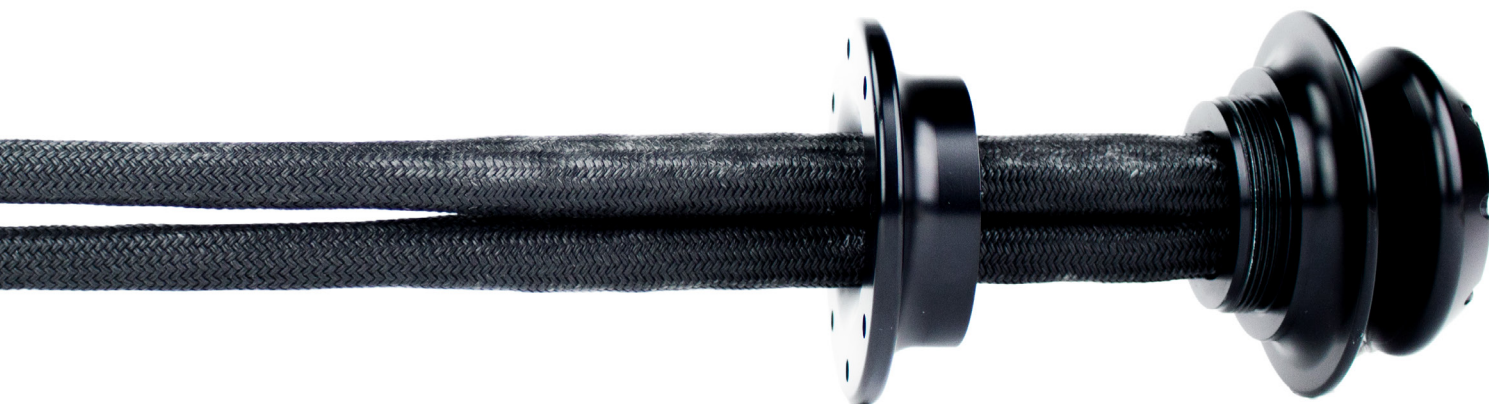


WHY THE NEED OF A SEPERABLE CONNECTOR?

Because yachts increasing in size, and therewith the workloads and line sizes also, servicing connectors of a sheet is much more difficult. With the 4GNS connector it's possible to detach only the connector with letting the sheet in position.

The 4GNS connector is made for sheets from 24 millimeter.

For installation, divide the two connector-body pieces and place the spliced eye over the loop and onto the groove in the aluminum body. Now, re-attach the second half en firmly tighten using the tools included.



A SOLID SOLUTION WITH APPROVED FIBER CERTIFICATE

We consider safety on board is very important. Therefore, the connectors are supplied with a certificate issued by a ISO9001-VCA-EKH certified company. This certificate guarantees the maximum workloads.

Adding the certificate to a yachts management system, guarantees close record keeping and the approval of marine surveyors and insurance companies.



MEASUREMENT SHEET



* Use recommended line size. Spliced eye is to be made as small as possible so that the sheet or halyard is locked up within the edges of the connector body.

Part	Line (Ø)	T	Ø	W	Ld	Weight (g)	MWL (kg)
24-14 4G-NS	24	150	60	77	14	614	18.000
30-14 4G-NS	30	150	60	73	14	720	18.000
24-16 4G-NS	24	150	67	81	16	720	28.000
30-16 4G-NS	30	180	67	91	16	1.040	28.000
34-16 4G-NS	34	180	67	95	16	1.100	28.000
32-18 4G-NS	32	200	71	98	18	1.466	35.000
34-18 4G-NS	34	200	71	101	18	1.490	35.000
35-20 4G-NS	35	200	75	105	20	1.510	45.000

Dimensions in mm, unless otherwise specified. All data is approximate and subject to change without notice. Breakload approx 2x maximum workload.

SWIVELING CONNECTORS

SWIV™

the best swivel



SWIv ISN'T JUST A SWIVEL

The SWIv is a one of a kind swivel with the latest technologies. It is designed to make the best use of the fiber, workloads and connection on to your halyard or sheet. The SWIv is the most durable and safest connector that retains its shape and can easily be opened up to breakload.

Weight at the mast top is one of the biggest drawbacks in yacht performance. With the new SWIv we have accomplished to make its high tensile alloy aluminum body 20% lighter than previous generation swivels.

USED ON:

- Halyards
- Genakker sheet
- Boom preventers



THE GREAT ADVANTAGES

Safety

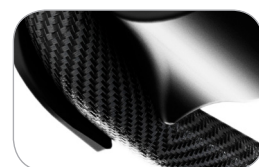
The special shape of the groove for the fiber loop, the loop lock, ensures that the loop will never come off accidentally.

Carbon bearing

The SWIv makes use of a carbon bearing that results in lower friction and an increase in the life span. The swivel has an unmatched durability.

Serviceable

The new SWIv is easy to maintain. It's possible to take the SWIv completely apart for servicing.



Loop lock system



Carbon bearing system



Secured with circlip to maintain serviceability

ONE BODY, TWO MODELS

With the two specially designed pins it is possible to suit every desirable situation.

Groovy-pin™

The advantage of the Groovy-pin is that it controls the fibres so it will keep the same tension at all the fibres in every situation. The Groovy-Pin can be used for multiple strand ropes like 360-loops and soft loops. And it can fit all lock-strops of the bullet directly into the SWIv.

Compression-pin™

Using the special designed Compression-pin the loads will be equally divided over the entire line. By using the Compression-pin a large contact area is created, increasing friction so the splice will be under less load. The Compression-Pin can be used for single and dual braid lines like halyards.

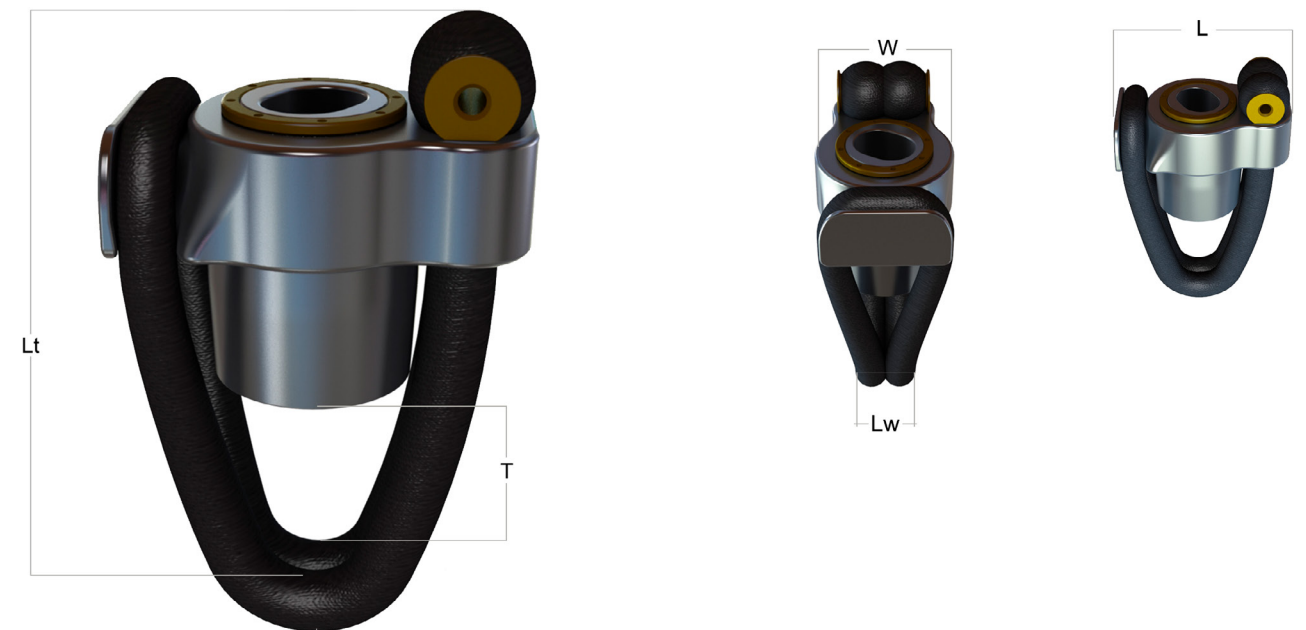


Compression-pin™ for use of spliced ropes that needs compression.



Groovy-pin™ for use of 360 loops and multiple strand ropes

MEASUREMENT SHEET



* Line diameter of a full covered spliced rope.
 ** Max. loop surface (cross section).

Part	Line (Ø) *	MLS (mm²) **	T	Lw	Lt	L	W	Weight (g)	MWL (kg)
08-06 SHL	8	90	20	18	80	50	32	77	4.000
10-08 SHL	10	140	30	23	100	65	40	165	7.000
12-08 SHL	12	200	30	23	100	65	40	175	7.000
14-10 SHL	14	270	45	32	118	82	48	295	10.000
16-10 SHL	16	350	45	32	118	82	48	305	10.000
18-12 SHL	18	445	50	35	137	95	60	450	13.000
20-12 SHL	20	550	50	35	137	95	60	500	13.000
22-14 SHL	22	665	70	40	175	117	72	680	18.000
24-14 SHL	24	790	70	40	175	117	72	740	18.000
26-16 SHL	26	840	150	51	285	150	92	1.350	27.000
30-16 SHL	30	1.185	150	51	285	150	92	1.350	27.000
26-18 SHL	26	840	150	57	285	155	94	1.500	32.000
30-18 SHL	30	1.185	150	57	285	155	94	1.500	32.000

Dimensions in mm, unless otherwise specified.
 All data is approximate and subject to change without notice.
 Breakload approx 2x maximum workload.

BLOCKS

CORe™ block

full carbon revolution



ONE SYSTEM, THREE STYLES

Equiplite® blocks offer a uniquely simple yet impressive performance. With our extensive experience, combined with the latest technology and innovation, we have created the CORe Block.

The CORe Block adds another dimension to the Equiplite® block experience, due to its new expanding modular technology it is possible for us to transform it into three different styles. It is a system that offers optimum flexibility and performance and can both meet the needs of the sailors and reach performance targets.



- USED ON:**
- | | |
|--------------------|----------------|
| Barberhaul systems | Traveler |
| Lead positions | Jib-clew |
| Upstand positions | Main halyard |
| Tackline | 2:1 halyards |
| Mast base | Reef positions |
| Main sheet | |

OUR POWERFUL CORe

At the heart of the block lies the new modular CORe based design, which consists of a Center shaft, a hard anodised coated sheave, VHL bearing and two side plates.

The modular design of the block creates high serviceability. With only one key it is possible to disassemble the CORe block.

The details add up: 20% wider bearing allows increased radial loads and larger contact surface; an Equiplite® CORe can achieve approximately 2x the load for a given size, weight and cost compared to traditional blocks; very high load, low friction, polymer bearing technology gives unparalleled efficiency of at least 94% in dry operation; better drainage of salt; complete protection and shield of shaft; unique: contact surface and side characteristics improve with wear.



THREE STYLES, NO BOUNDARIES

The CORe block enhances the possibility to be more flexible with the deck, Sail and rig hardware. Project managers, yacht builders and designers no longer have any restrictions. Our hardware has no limits. For every specific position one of the styles can be used.

CORe QUICK STYLE

The CORe Quick Style is our flagship block. The CORe is combined with a synthetic certified loop wich results in a familiar snatch block.

With an adjustment to the block, Equiplite's well-known **UPSTAND** and **LEAD** model block can be created.



CORe 360 STYLE

The need for a 360 connection is fulfilled impeccably by the CORe 360 style. By combining the block with our 3D 360 loop a completely certified solution is created.



CORe LASHING STYLE

The CORe lashing style is a compact solution, that creates less windage and is used in permanent positions, for example main sheet, traveller and lead positions.



THE GREAT ADVANTAGES

Safety

The special shaped groove in the side plates will lock the loop. This ensures the loop will never dislodge accidentally.

Maintenance Management System

The blocks come with a RFID identification chip. This chip is the solution to improve identification, keep track of maintenance history, position of the blocks and more.

Serviceability

With one key you can disassemble the block completely for servicing. It is even possible to replace the certificated loop yourself.

VHL bearing

The VHL bearing gives unparalleled load efficiency with the lowest possible stick slip.



Safety



Identification chip



Serviceable



VHL Bearing

THREE MODELS, MORE THAN JUST LEADING

The LEAD, UPSTAND and Gennaker models have all the advantages that come with our CORe block. It makes deck layouts more flexible and because of the unique construction, compact design and lightness, the LEAD and UPSTAND models will keep clear of the deck. The advanced design of the CORe block will keep alignment errors to a minimum, reducing strain on the loops and prolonging the lifespan which ensures safety.



CORe LEAD MODEL

The CORe LEAD block is the solution for common alignment problems, especially the direction of the loads when it comes to loop connections. Because of its compact design it ensures the most optimal alignment of the line to the winch.

The CORe LEAD model can be combined with Equiplite's LEAD Pad-i system which is available in various sizes with safe working loads from 4T up to 35T*. This system will reduce alignment issues that loop blocks have to an absolute minimum.

*See our Pad-i data and specs

CORe UPSTAND MODEL

The CORe UPSTAND model is specially designed to have the block working either vertically or horizontally for all positions on the deck. Because of the special Upstand VELCRO® it will keep clear of the deck, which prevents damage to the yacht and it is quick and easy to operate compared to competitive blocks of the same load.

The CORe UPSTAND model can be combined with Equiplite's UPSTAND Pad-i system. The special shape of the Pad-i is designed in the way so that the block remains clear of the deck with the most optimal and maximum alignment for the line to the winch.



GCB™(SPB) PARTNER FOR PEELING

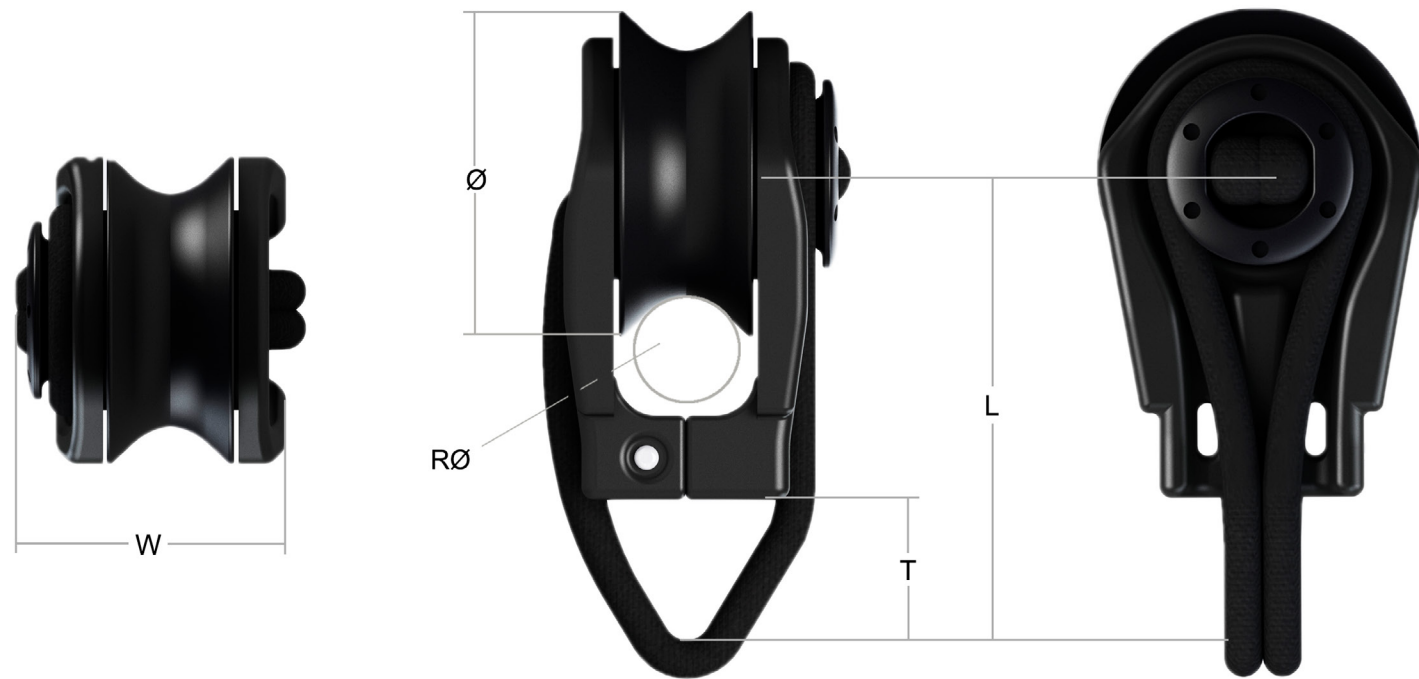
Gennaker blok

Equiplite® Gennaker block employs wide alloy sheaves to pass two sheets for peeling under load. The GCB block use Dyneema®, loops to take the loads directly through the centre of the sheave, which results in a extremely strong and lightweight construction. The throat length is optimized for the Gennaker position

Our Gennaker Style are durable lightweight and can meet the high demands of the team in terms of technology, performance, durability and can both meet the needs of the sailors and reach performance targets.

‘Partner for peeling’





CORE QUICK STYLE

Part	Ø	W	L	T	Max. Line (Ø)	Wt (g)	MWL (kg)
12-47-5 CB	47	40	80	24	12	90	3.000
14-48-6 CB	48	48	82	27	14	160	4.000
18-65-7 CB	65	52	110	30	18	380	6.000
20-70-8 CB	70	65	120	40	20	460	8.000
18-80-10 CB	80	60	140	50	18	590	9.500
24-80-10 CB	80	65	140	50	24	610	9.500
24-80-11 CB	80	73	140	50	24	625	11.000
26-100-10 CB	100	74	150	60	26	970	11.000
26-100-11 CB	100	80	150	60	26	985	14.000
28-120-12 CB	120	94	186	65	28	1.695	16.000
32-135-14 CB	135	107	196	75	32	1.950	20.000
36-155-18 CB	155	130	216	80	36	2.550	30.000
40-180-22 CB	180	135	266	110	40	3.000	40.000
44-210-26 CB	210	151	290	110	44	3.500	55.000
50-240-30 CB	240	196	344	120	50	4.000	75.000

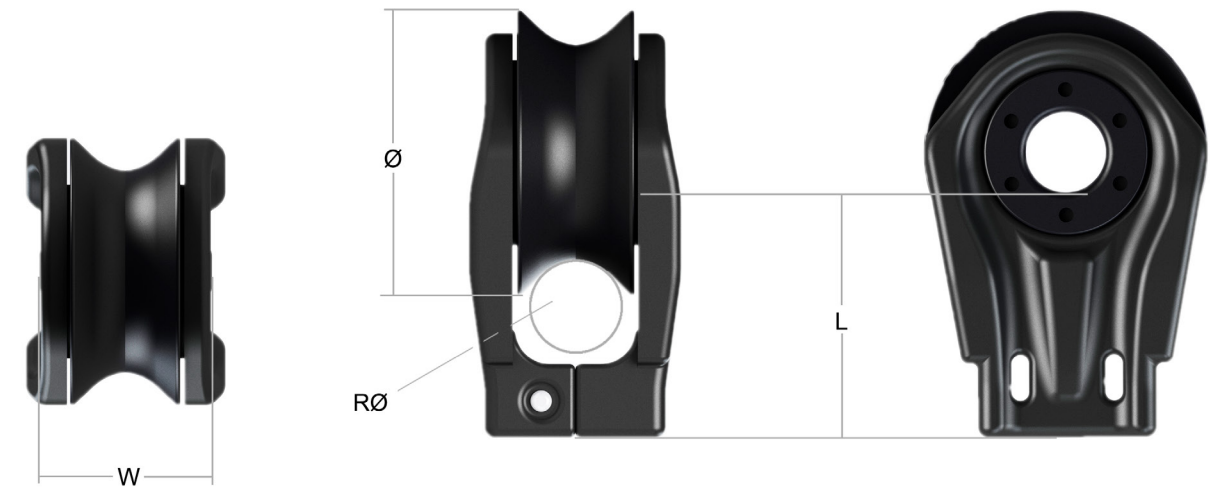
CORE UPSTAND

Part	Ø	W	L	T	Max. Line (Ø)	Wt (g)	MWL (kg)
12-47-5 UCB	47	40	80	Matching pad eye	12	95	3.000
14-48-6 UCB	48	48	82	Matching pad eye	14	165	4.000
18-65-7 UCB	65	52	110	Matching pad eye	18	385	6.000
20-70-8 UCB	70	65	120	Matching pad eye	20	465	8.000
18-80-10 UCB	80	60	140	Matching pad eye	18	600	9.500
24-80-10 UCB	80	65	140	Matching pad eye	24	620	9.500
24-80-11 UCB	80	73	140	Matching pad eye	24	635	11.000
26-100-10 UCB	100	74	150	Matching pad eye	26	980	11.000
26-100-11 UCB	100	80	150	Matching pad eye	26	990	14.000
28-120-12 UCB	120	94	186	Matching pad eye	28	1.710	16.000
32-135-14 UCB	135	107	196	Matching pad eye	32	2.000	20.000
36-155-18 UCB	155	130	216	Matching pad eye	36	2.620	30.000
40-180-22 UCB	180	135	266	Matching pad eye	40	3.080	40.000
44-210-26 UCB	210	151	290	Matching pad eye	44	3.600	55.000
50-240-30 UCB	240	196	344	Matching pad eye	50	4.100	75.000

CORE LEAD

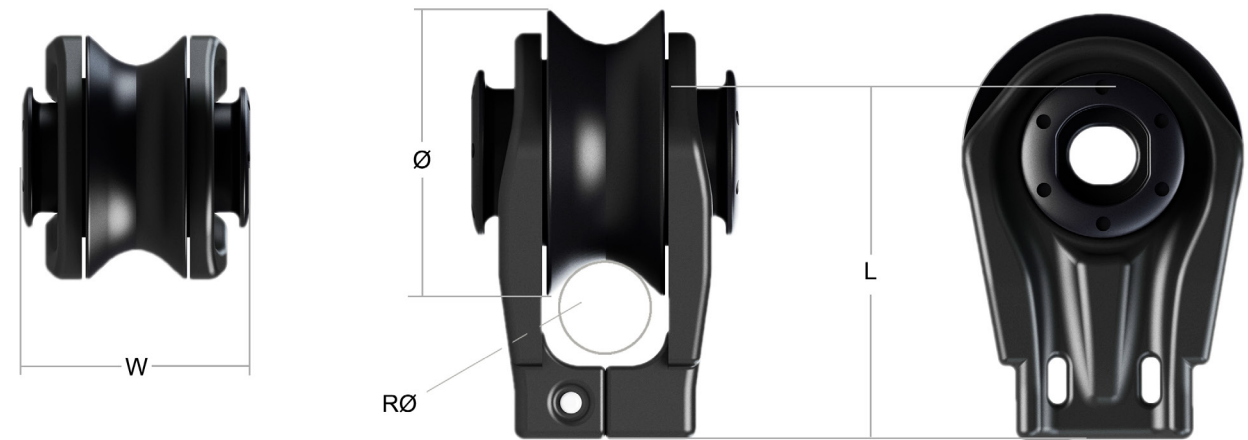
Part	Ø	W	L	T	Max. Line (Ø)	Wt (g)	MWL (kg)
14-48-6 LCB	48	48	82	Matching pad eye	14	165	4.000
18-65-7 LCB	65	52	110	Matching pad eye	18	385	6.000
20-70-8 LCB	70	65	120	Matching pad eye	20	465	8.000
18-80-10 LCB	80	60	140	Matching pad eye	18	600	9.500
24-80-10 LCB	80	65	140	Matching pad eye	24	620	9.500
24-80-11 LCB	80	73	140	Matching pad eye	24	635	11.000
26-100-10 LCB	100	74	150	Matching pad eye	26	980	11.000
26-100-11 LCB	100	80	150	Matching pad eye	26	980	14.000
28-120-12 LCB	120	94	186	Matching pad eye	28	1.710	16.000
32-135-14 LCB	135	107	196	Matching pad eye	32	2.000	20.000
36-155-18 LCB	155	130	216	Matching pad eye	36	2.620	30.000
40-180-22 LCB	180	135	266	Matching pad eye	40	3.080	40.000
44-210-26 LCB	210	151	290	Matching pad eye	44	3.600	55.000
50-240-30 LCB	240	196	344	Matching pad eye	50	4.100	75.000

Dimensions in mm, unless otherwise specified.
All data approx and subject to change without notice.
Breakload approx 2x max workload



CORE LASHING STYLE

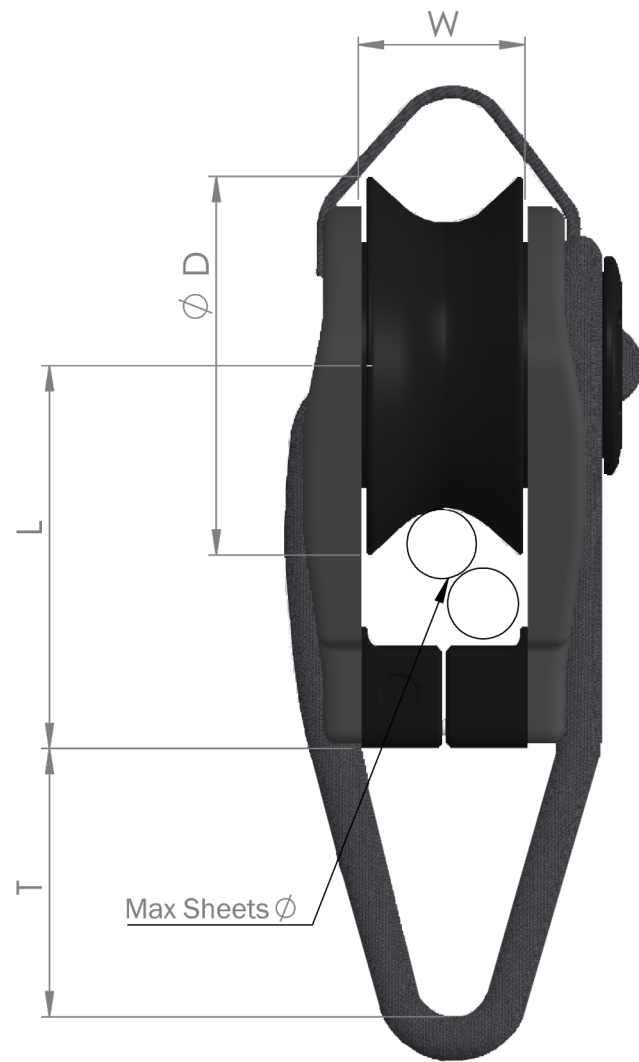
Part	Ø	W	L	Max. Line (Ø)	Wt (g)	MWL (kg)
12-47-5 CBL	47	30	48	12	65	3.000
14-48-6 CBL	48	34	48	14	115	4.000
18-65-7 CBL	65	42	70	18	275	6.000
20-70-8 CBL	70	52	70	20	330	8.000
18-80-10 CBL	80	45	74	18	410	9.500
24-80-10 CBL	80	51	74	24	440	9.500
24-80-11 CBL	80	54	74	24	450	11.000
26-100-10 CBL	100	60	90	26	805	11.000
26-100-11 CBL	100	60	90	26	815	14.000
28-120-12 CBL	120	72	112	28	1.130	16.000
32-135-14 CBL	135	80	120	32	1.300	20.000
36-155-18 CBL	155	100	140	36	1.700	30.000
40-180-22 CBL	180	104	142	40	2.000	40.000
44-210-26 CBL	210	112	182	44	2.335	55.000
50-240-30 CBL	240	132	200	50	2.670	75.000



CORE 360 STYLE

Part	Ø	W	L	Max. Line (Ø)	Wt (g)	MWL (kg)
12-47-5 CB360	47	42	66	12	85	2.250
14-48-6 CB360	48	52	68	14	150	3.000
18-65-7 CB360	65	56	96	18	350	4.500
20-70-8 CB360	70	72	100	20	425	6.000
18-80-10 CB360	80	75	108	18	535	7.000
24-80-10 CB360	80	84	108	24	565	7.000
26-100-10 CB360	100	88	124	26	915	8.000
28-120-12 CB360	120	105	155	28	1.405	13.000
32-135-14 CB360	135	120	168	32	1.615	17.500
36-155-18 CB360	155	148	198	36	2.115	26.000
40-180-22 CB360	180	166	200	40	2.490	35.000
44-210-26 CB360	210	188	266	44	2.900	48.000
50-240-30 CB360	240	230	300	50	3.315	66.000

Dimensions in mm, unless otherwise specified.
All data approx and subject to change without notice.
Breakload approx 2x max workload



CORE GENNAKER

Part	Ø	W	L	T	Max. Line (Ø) 2x	Wt (g)	MWL (kg)
20-70-8 GCB	70	65	135	55	12	484	5.500
24-80-10 GCB	80	73	155	70	14	620	6.500
26-100-10 GCB	100	80	200	100	16	980	9.000
28-120-12 GCB	120	94	250	130	18	1.695	14.000
32-135-14 GCB	135	107	280	140	22	2.000	20.000

Dimensions in mm, unless otherwise specified.
 All data approx and subject to change without notice.
 Breakload approx 2x max workload

PAD EYES

Pad-i

self-aligning and removable



SELF-ALIGNING REMOVABLE PAD-I

With the self-aligning removable Pad-i we created the lead and upstand system that will reduce the alignment issues that all loop blocks have, to a absolute minimum. The Pad-i creates a trouble free system that allows the deck layout to be more flexible and versatile.

USED FOR:

- Tack line
- Genoa
- Jib
- Staysail
- Spinnaker
- Mast base



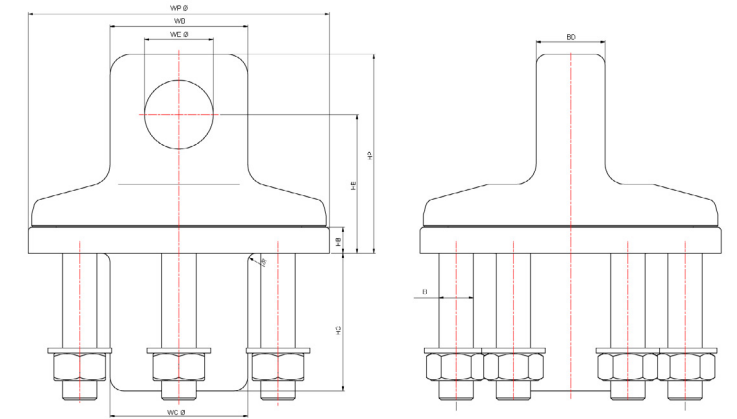
A SPECIAL SHAPE THAT ROTATES

The Pad-i is able to rotate 270 degrees which will ensure the best alignment for all the hardware. It will automatically self-align in the direction which the applied load is best distributed. This ensures that the maximum workload characteristics of the Pad-i are efficacious at all times.

The special shape of Pad-i is designed in the way that the block remains clear of the deck with the most optimal and maximum alignment for the line to the winch. This reduces the damage to an absolute minimum.

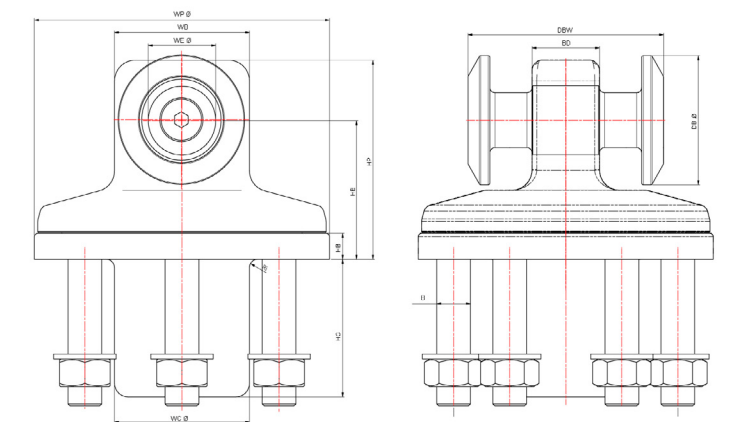


MEASUREMENT UPSTAND SYSTEM



Part	WP Ø	WB	WE Ø	WC Ø	HP	HB	HE	HC	B	BD	SWL
Pad-i U 4	104	45	26	50	76,5	53,5	8	54	M10	20	4.000
Pad-i U 7	112	50	28	55	82,5	57,5	9	63	M12	22	7.000
Pad-i U 10	130	57	32	58	85,5	59,5	9	63	M12	26	10.000
Pad-i U 15	135	65	35	60	90,5	62	10	63	M16	30	15.000
Pad-i U 20	150	70	38	65	102,5	70,5	12	68	M16	30	20.000
Pad-i U 27.5	175	80	40	80	115,5	80,5	15	80	M20	40	27.500
Pad-i U 35	200	95	50	105	143,5	101	18	107	M20	50	35.000

MEASUREMENT LEAD SYSTEM



Part	WP Ø	WB	WE Ø	WC Ø	HP	HB	HE	HC	B	BD	DBW	DB Ø	SWL
Pad-i L 4	104	45	26	50	76,5	53,5	8	54	M10	20	66	35	4.000
Pad-i L 7	112	50	28	55	82,5	57,5	9	63	M12	22	72	45	7.000
Pad-i L 10	130	57	32	58	85,5	59,5	9	63	M12	26	78	50	10.000
Pad-i L 15	135	65	35	60	90,5	62	10	63	M16	30	86	55	15.000
Pad-i L 20	150	70	38	65	102,5	70,5	12	68	M16	30	96	65	20.000
Pad-i L 27.5	175	80	40	80	115,5	80,5	15	80	M20	40	116	75	27.500
Pad-i L 35	200	95	50	105	143,5	101	18	107	M20	50	140	95	35.000

Dimensions in mm, unless otherwise specified.
All data is approximate and subject to change without notice.
Breakload approx 2x SWL

TWO MODELS

The Pad-i is available in two models, the Pad-i upstand system and the Pad-i lead system. The lead system comes with the so called "Lashing-pin". Because of the special design, it makes it possible that, in combination with our lead block, the lead to the winch is as low as possible.



Re-designed shape for optimal and maximum alignment



Pad-i upstand system



Flush deck by cap

FURLING SYSTEM

Top Swivel

the lightest in swiveling





TS5 LION

Equiplite® Top Swivels are the lightest in weight, lightest in furling and efficient because it eliminates connections. That's what makes the top swivel, a "top" swivel.

Not only is it based on the rock solid FS foundation that promises an unparalleled stability and weight to strength ratio, it also delivers an incredible increase in performance, maximizes luff lengths and employs the latest industry leading technology for Formula one and super yacht standards.

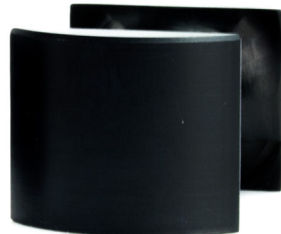
USED ON:
 Code-0 halyard
 Gennaker halyard
 Staysail system
 Inner-forestay system

TWO PINS, THREE MODELS

With the two specially designed pins it's possible to suit every desirable situation.

Groovy-pin™

The advantage of the Groovy-pin is that it controls the fibres so it will keep the same tension on all the fibres in every situation. The Groovy-Pin can be used for multiple strand ropes like 360-loops and soft loops.



Groovy-pin™

Compression-pin™

Using the special designed Compression-pin the loads will be evenly distributed over the entire line. By using the Compression-pin a large contact area is created, increasing friction so the splice will be under less load. The Compression-Pin can be used for single and dual braid lines like halyards.



Compression-pin™

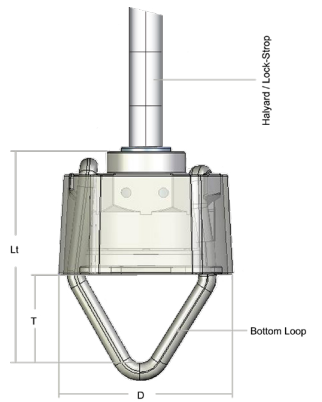


TS5 HALYARD

The specially designed top swivel 5 LION can now hold the halyard without the need for additional connectors. A halyard swivel will no longer be necessary. With the use of the specially designed Compression-pin we ensure weight and money saving while improving on the safety aspects.

TS5 BULLET

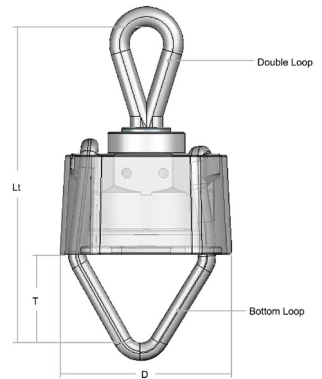
Just by changing the Compression-pin with the Groovy-pin it's possible to fit all lock-stops of the bullet directly into the swivel. The Groovy-pin is used for multiple strand ropes where you can't accept compression on the fibers.



* Max. loop surface (cross section).

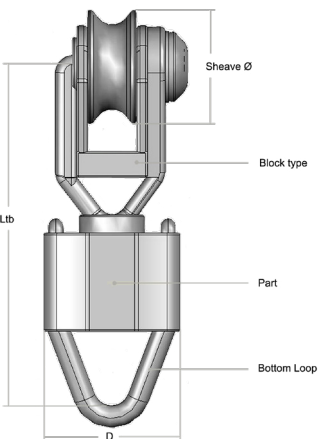
Part	Lt	T	D	Halyard Ø	Bottom loop size	MLS (mm2)*	Weight (g)	MWL (kg)
6 TSL	95	40	67	10	20	140	280	6.000
8 TSL	115	50	86	13	24	220	410	7.600
10 TSL	170	70	100	18	32	445	900	11.000
12 TSL	185	85	120	22	40	665	1.700	16.000
14 TSL	200	90	140	24	48	790	1.900	20.000
18 TSL	On request	100	180	On request	On request	On request	2.300	30.000
22 TSL	On request	110	223	On request	On request	On request	3.100	45.000
40 TSL	On request	123	237	On request	On request	On request	On request	85.000

TOP SWIVEL 1:1



Part	Lt	T	D	Double loop size	Bottom loop size	Weight (g)	MWL (kg)
6 TS 1-1	130	40	67	20	20	290	6.000
8 TS 1-1	160	50	86	15	24	450	7.600
10 TS 1-1	230	70	100	18	32	990	11.000
12 TS 1-1	250	85	120	22	40	1.800	16.000
14 TS 1-1	320	90	140	25	48	2.000	20.000
18 TS 1-1	410	100	180	30	64	2.500	30.000
22 TS 1-1	459	110	223	35	78	3.300	45.000
40 TS 1-1	On request	On request	On request	On request	On request	On request	85.000

TOP SWIVEL 2:1



Part	Block type	Ltb	T	D	Sheave Ø	Bottom loop size	Weight (g)	MWL (kg)
6 TS 2-1	14-48- CB	160	40	67	48	20	466	4.000
8 TS 2-1	20-70-8 CB	240	50	86	70	24	835	7.600
10 TS 2-1	24-80-10 CB	300	70	100	80	32	1.400	10.000
12 TS 2-1	28-120-12 CB	365	85	120	120	40	2.400	14.000
14 TS 2-1	32-135-14 CB	395	90	140	135	48	3.200	12.000
18 TS 2-1	36-155-18 CB	470	100	180	155	64	4.900	30.000
22 TS 2-1	40-180-22 CB	480	110	223	180	78	6.200	40.000
40 TS 2-1	50-240-30 CB	On request	On request	On request	On request	On request	On request	70.000

Dimensions in mm, unless otherwise specified.
 All data is approximate and subject to change without notice.
 Breakload approx 2x maximum workload.

MULTI-PURPOSE SYSTEM

In-Focker

snatching lowfriction ring



SNATCHING RINGS "HIGH LOAD LOW FRICTION"

The snatching ring (named In-Focker™) is low friction, sheaveless, snatching and not to mention lightweight.



NO MAINTENANCE WHATSOEVER

The body of the In-Focker has the same shape as a Equiplite® snatchblock sheave. It fits the sheet perfectly that results in high stability. Without the use of moving parts and the use of lightweight aluminum parts with special Nituff® surface, it is completely maintenance-free, but retains the low friction.

Nituff® is a new surface treatment that enhances the properties of a hard anodize coating. This proprietary process penetrates PTFE (Teflon) into a precision hard anodize coating to achieve a self-curing, self-lubricating surface with low friction, high corrosion resistance, and dielectric properties superior to ordinary hard anodize.



Nituff®

MEASUREMENT SHEET

WHY THE NEED OF AN IN-FOCKER?

Now with the specially designed In-Focker there is no longer the need for a large snatchblock on the Barbehaul, Infock position. We ensure saving weight and money while improving on the handling. The use of the In-Focker is plug-and-play, because of the soft-loop technology.

USED ON:

- Barbehaul
- Leed
- Reef
- Main
- In-Focker



* Use recommended line size.
Spliced eye is to be made as small as possible so that the sheet or halyard is locked up within the edges of the connector body.

Part	Line Ø	Ø	W	Ld	Weight (g)	MWL (kg)
10-4 IF	7 ~ 10	16	17	10	42	2.000
14-6 IF	10 ~ 14	20	24	14	72	4.500
20-10 IF	12 ~ 18	30	35	25	280	8.000
30-12 IF	22 ~ 28	35	47	33	350	12.000
40-12 IF	32 ~ 38	35	59	33	500	12.000

Dimensions in mm, unless otherwise specified.
All data approx and subject to change without notice.
Breakload approx 2x max workload

BARBERHAUL SYSTEM

3D-Ti

smooth trimming



THE TITANIUM BARBERHAUL RING

The 3D-Ti ring has been designed for use as a 2:1 deflector sheet, for handling systems such as a jib inhauler system. The design of the 3D-Ti allows the primary sheet to run smoothly through the ring and when loaded, it does not point towards the sheet. This can lead to potential failure. The 3D-Ti leaves the sheet and control line intact, because of the rings internal radius.

The 3D-Ti is made from high tensile titanium and comes in two different types, both with an internal diameter of 40 millimetres of the centre hole and with a maximum workload of four to eight ton.

MEASUREMENT SHEET

Part	Inner Ø (mm)	Outer Ø (mm)	Width (mm)	Weight (g)	MWL (kg)
3D-Ti 4	40	60	16	75	4.000
3D-Ti 8	40	60	20	100	8.000

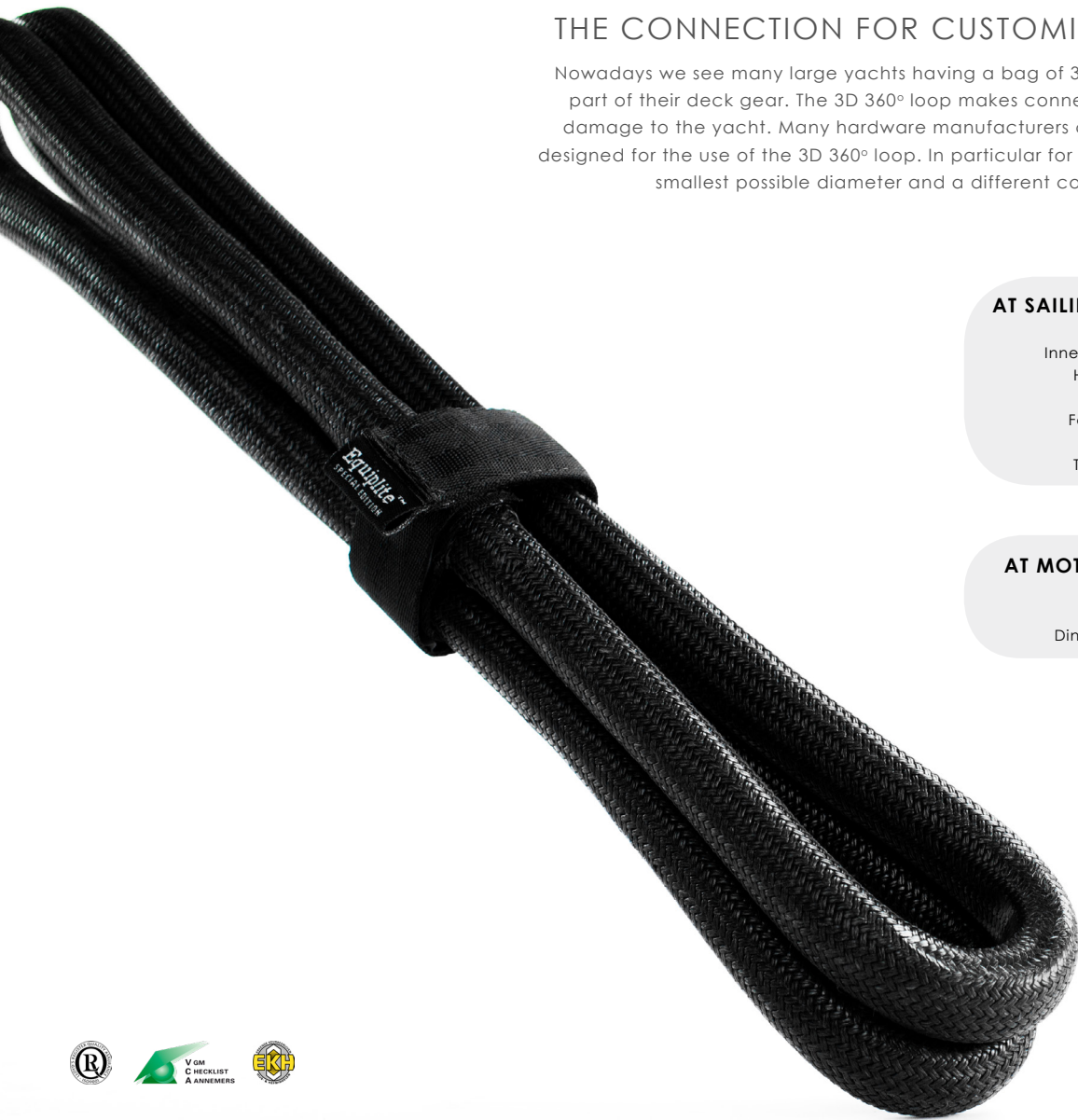
Dimensions in mm, unless otherwise specified.
All data approx and subject to change without notice.
Breakload approx 2x max workload

SOFT LOOPS

3D 360° loop

the compact connection





THE CONNECTION FOR CUSTOMIZED HARDWARE

Nowadays we see many large yachts having a bag of 3D 360° loops as a standard part of their deck gear. The 3D 360° loop makes connections safer and reduces damage to the yacht. Many hardware manufacturers create hardware specially designed for the use of the 3D 360° loop. In particular for connections that require the smallest possible diameter and a different connection angle.

AT SAILING YACHTS USED FOR:

- Lock systems
- Inner forestay connections
- Headstay pennants
- Hoist connections
- Fairlead adjustments
- Block connections
- Toerail connections

AT MOTOR YACHTS USED FOR:

- Helicopter securing
- Emergency towing
- Dinghy, tender, jetski hoist



THE ADVANTAGES

The first priority is safety

Safety is our main concern on board. Therefore, the loop can be extra equipped with a certificate issued by a ISO9001-VCA-EKH certified company. A certified loop has a label with the certificate number, date and maximum workload.

Light, but immensely powerful

The loop is extremely light and can handle loads up to 300 tons. We were able to achieve this because of the special splice technique that we use for fabrication of the 3D 360° loop. This technique uses multiple strands of Dyneema® that evenly divides the tensile force over the fibers. This system is tensioned to its maximum workload while it is being hardened. The annealing process allows an altering of the microstructure of the fiber while efficiently aligning the molecular chain. With this technology we are able to reach higher workloads with a smaller loop size and diameter.

Black Dyneema® cover

With the Equiplite® custom covering system we are able to compress the multiple fibers into a solid loop. As soon as the cover begins to show signs of wear, abrasion or when it starts to fade it's time to replace the 3D 360° loop.



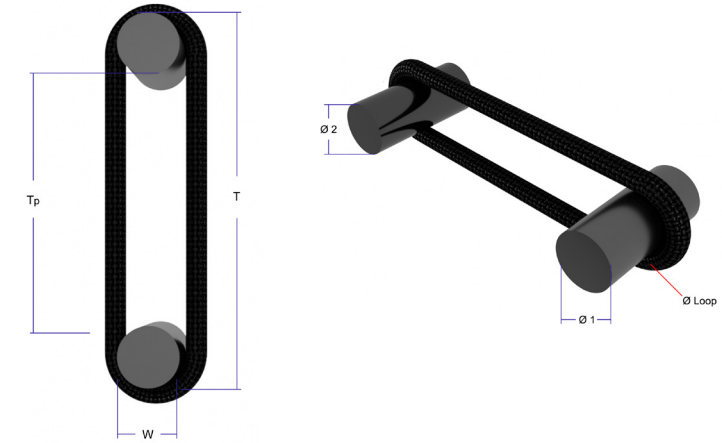
High quality Black Dyneema® cover



VELCRO® wrap to secure the position of the loop



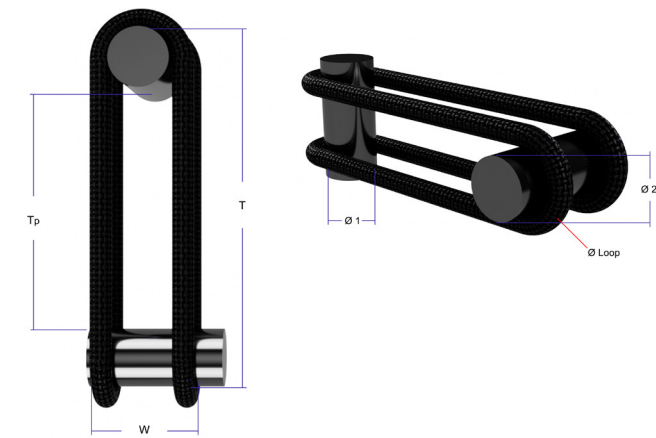
Microchip implant - LYNkMe™



VERTICAL

Part	Loop Ø	T	Weight (g)	MWL (kg)
7-3 3D-2 200LV	7	200	17	1.000
7-3 3D-2 250LV	7	250	18	1.000
8-3 3D-3 150LV	8	150	17	1.350
9-4 3D-2 150LV	9	150	22	1.900
9-4 3D-2 200LV	9	200	24	1.900
9-4 3D-2 300LV	9	300	29	1.900
9-4 3D-2 400LV	9	400	33	1.900
11-5 3D-2 200LV	11	200	28	2.800
11-5 3D-2 300LV	11	300	35	2.800
11-5 3D-2 500LV	11	500	49	2.800
11-4 3D-4 300LV	11	300	43	3.600
11-4 3D-4 400LV	11	400	51	3.600
11-4 3D-4 600LV	11	600	68	3.600
11-5 3D-3 600LV	11	600	76	4.000
11-4 3D-5 300LV	11	300	51	4.750
11-4 3D-5 400LV	11	400	61	4.750
11-4 3D-5 600LV	11	600	83	4.750
13-5 3D-4 300LV	13	300	40	5.500
13-5 3D-4 450LV	13	450	51	5.500
15-7 3D-3 300LV	15	300	80	9.000
18-7 3D-5 780LV	18	780	260	14.000
20-8 3D-5 250LV	20	250	121	18.000

Workload range from 1 ton up to 300 tons. Custom sizes can be made upon request. We will determine the correct size, length and workload for the application.



BASKET

Part	Loop Ø	T	Weight (g)	MWL (kg)
7-3 3D-2 200LB	7	200	34	2.000
7-3 3D-2 250LB	7	250	36	2.000
8-3 3D-3 150LB	8	150	34	2.700
9-4 3D-2 150LB	9	150	44	3.800
9-4 3D-2 200LB	9	200	48	3.800
9-4 3D-2 300LB	9	300	58	3.800
9-4 3D-2 400LB	9	400	66	3.800
11-5 3D-2 200LB	11	200	56	5.600
11-5 3D-2 300LB	11	300	70	5.600
11-5 3D-2 500LB	11	500	98	5.600
11-4 3D-4 300LB	11	300	86	7.200
11-4 3D-4 400LB	11	400	102	7.200
11-4 3D-4 600LB	11	600	136	7.200
11-5 3D-3 600LB	11	600	152	8.000
11-4 3D-5 300LB	11	300	102	9.500
11-4 3D-5 400LB	11	400	122	9.500
11-4 3D-5 600LB	11	600	186	9.500
13-5 3D-4 300LB	13	300	80	11.000
13-5 3D-4 450LB	13	450	102	11.000
15-7 3D-3 300LB	15	300	160	18.000
18-7 3D-5 780LB	18	780	520	28.000
20-8 3D-5 250LB	20	250	242	36.000

Dimensions in mm, unless otherwise specified. All data approx and subject to change without notice. Breakload approx 2x max workload

SOFT LOOPS

3D-LT Quick Loop

the fastest connection



THE 3D-LT QUICK LOOP

The 3D-LT Quick Loop is designed for the smallest connection and for positions where you can not use a NS connector or an 4GNS connector. It is the quick lashing connection that is easy to connect and disconnect.

The loop is extremely light in weight but can take extreme high loads. We are able to achieve this because of the special splice technique. This technique uses multiple strands Dyneema® that divides the tensile force evenly over the fibers. With the Equiplite® custom covering system we compress the multiple fibers into a solid loop.

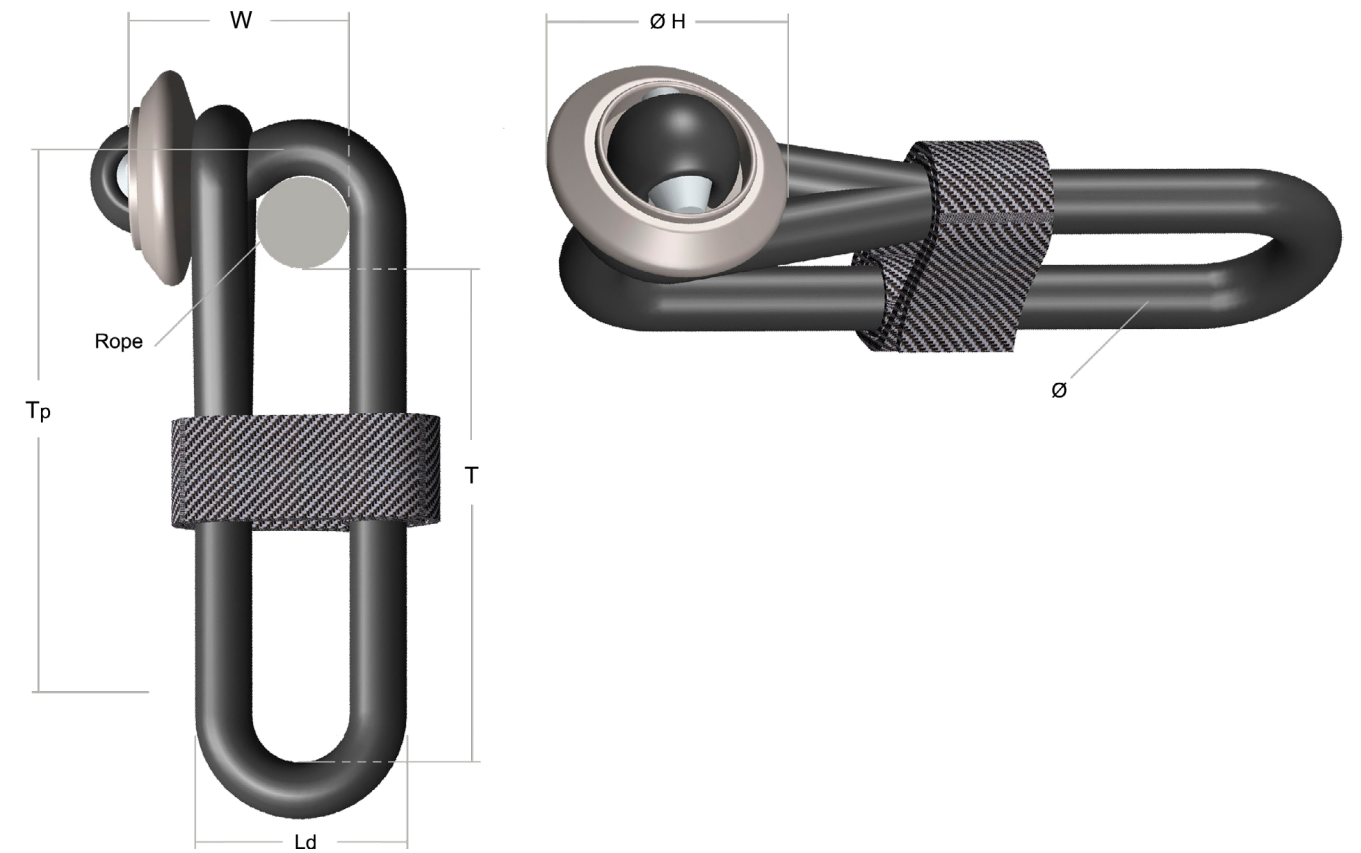
- USED FOR:**
- Lashing connections
 - Hanging locks
 - Runner attachments
 - Furling systems (to attach tack or head)
 - Block connections



A CERTIFIED LASHING CONNECTION

Safety is our top priority. Therefore all our products are factory certified and can additionally be supplied with a certificate.

Adding this certificate to your yachts management system, and it will be approved by marine surveyors as well as insurance companies.



Part	Approx. Loop Ø	T	Ø	Ø H	Weight (g)	MWL (kg)
13-5 3D-LT	10	130	13	20	27	3.000
16-6 3D-LT	11	130	16	27	35	4.000
21-8 3D-LT	16	160	21	33	130	6.000
26-10 3D-LT	18	300	26	44	157	9.000
31-12 3D-LT	23	400	31	59	235	14.000
36-14 3D-LT	27	400	36	66	352	18.000
46-18 3D-LT	35	400	46	76	528	28.000
57-22 3D-LT	40	500	57	84	792	38.000

Dimensions in mm, unless otherwise specified.
 All data approx and subject to change without notice.
 Breakload approx 2x max workload

HANKS

Soft Sailhank

the lightweight hank

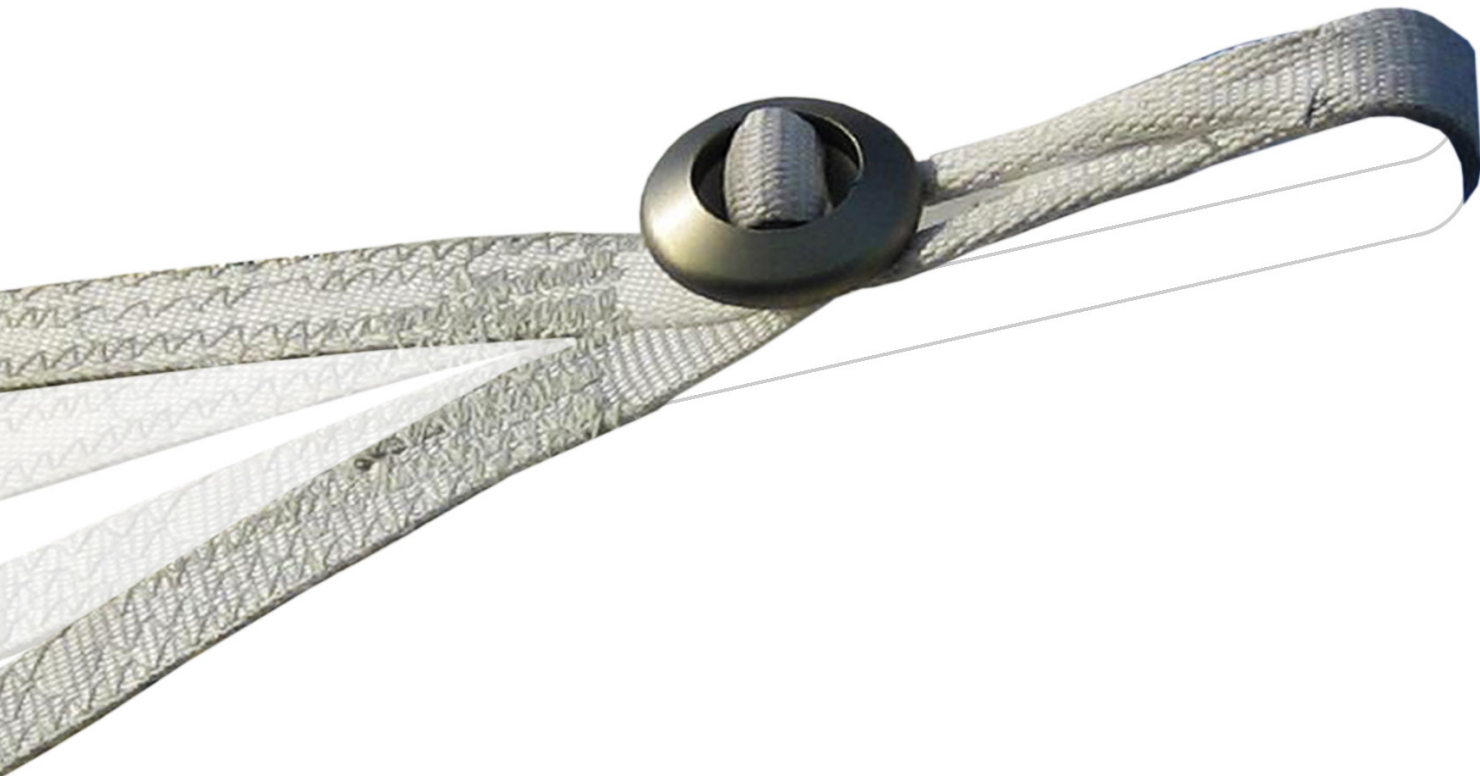


THE SOFT SAILHANK

The Soft Sailhank is a replacement for the traditional stainless steel hank, which is non-corrosive and lightweight. Sailing yachts use the sailhank as a replacement for a heavy stainless steel connector for the staysail and jib. The Soft Sailhank ensures less compression on the PBO/Carbon/Kevlar stay.

Sails can easily be detached from the PBO/Carbon/Kevlar stay by using this system.

In the traditional way, for superyachts, the innerforstay and forstay is directly attached to the anti-torsion cable. With the use of the Soft Sailhank the anti-torsion cable of the innerforstay and forstay can stay in place when the sail needs to come off.



THE ADVANTAGES

Weight saving

The hanks are made of a high quality 7075 aluminium alloy that makes them very light.

Less windage

The Soft Sailhank is directly installed onto the webbing, making the windage as low as possible.

Quick connection

The Sailhank connects the sail with the head stay. Just by pressing the hank through the loop, it is easy to connect and disconnect the sail without any difficulties.



Connection between sail and anti-torsion cable.

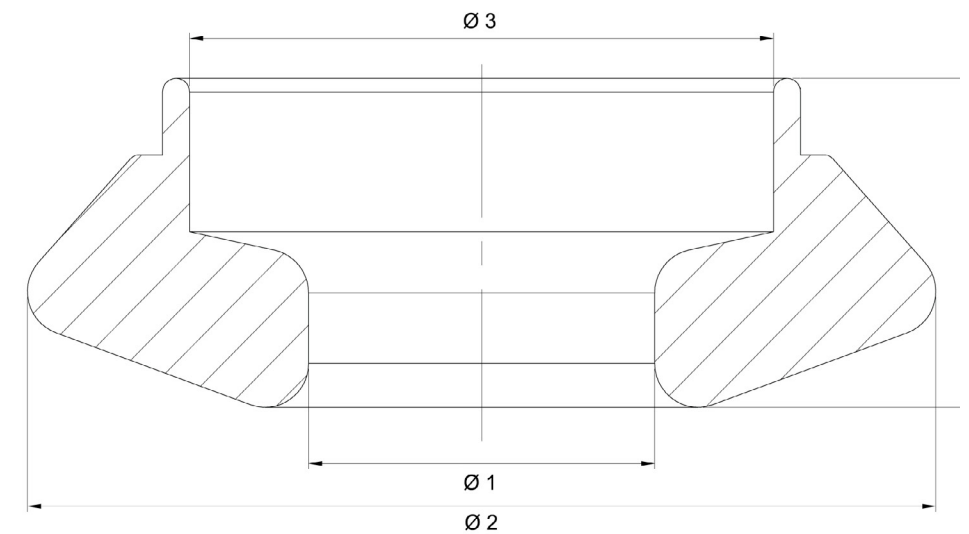
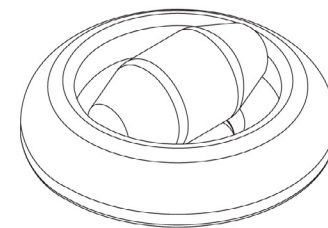


High quality 7075 aluminum alloy.



Different sizes to suit desirable size.

MEASUREMENT SHEET



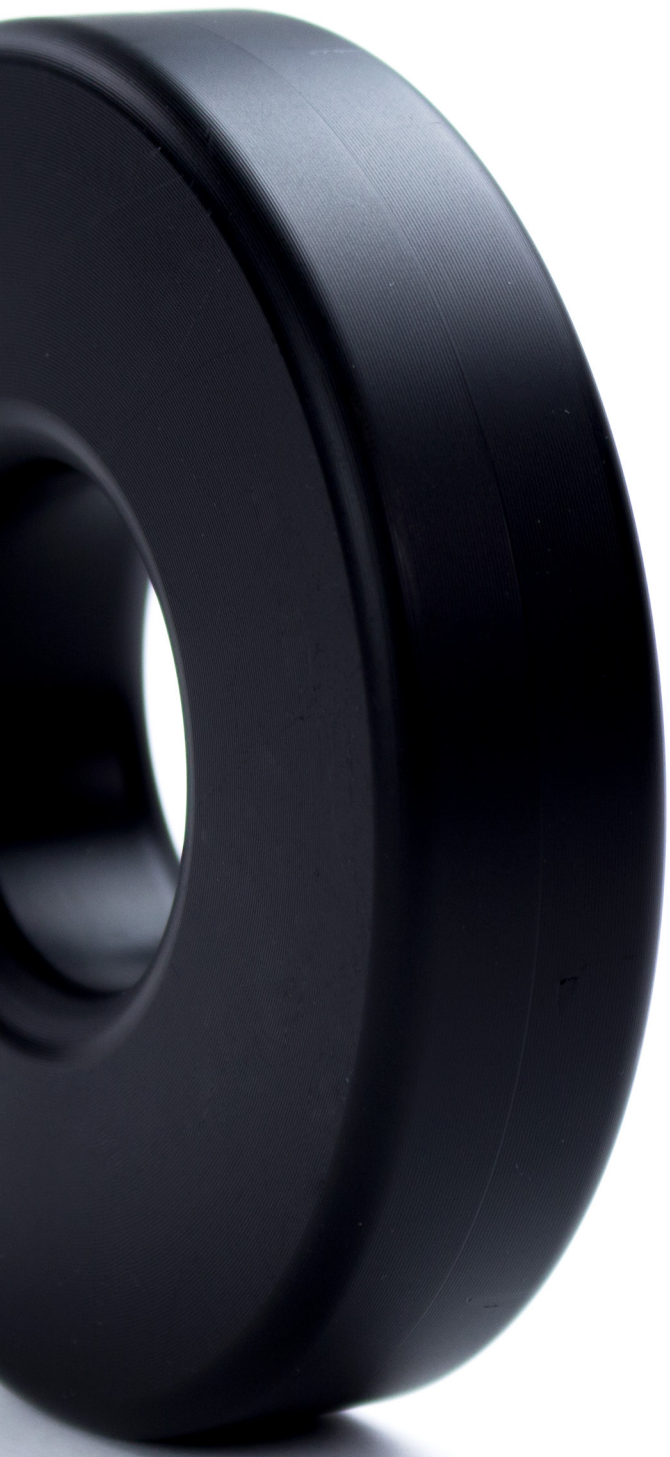
Part	Ø 1	Ø 2	Ø 3	T	MWL (kg)
5H	8	20	13	5	1.500
6H	8	27	19	8	2.000
8H	12	33	21	10	2.500
10H	16	44	26	13	3.500
12H	20	59	35	18	6.000
15H	24	66	41	21	9.000
18H	28	76	48	26	14.000
20H	32	84	54	30	19.000

Dimensions in mm, unless otherwise specified.
All data approx and subject to change without notice.
Breakload approx 2x max workload

DAMAGE PREVENTERS

Do-Nutt

preventing damage



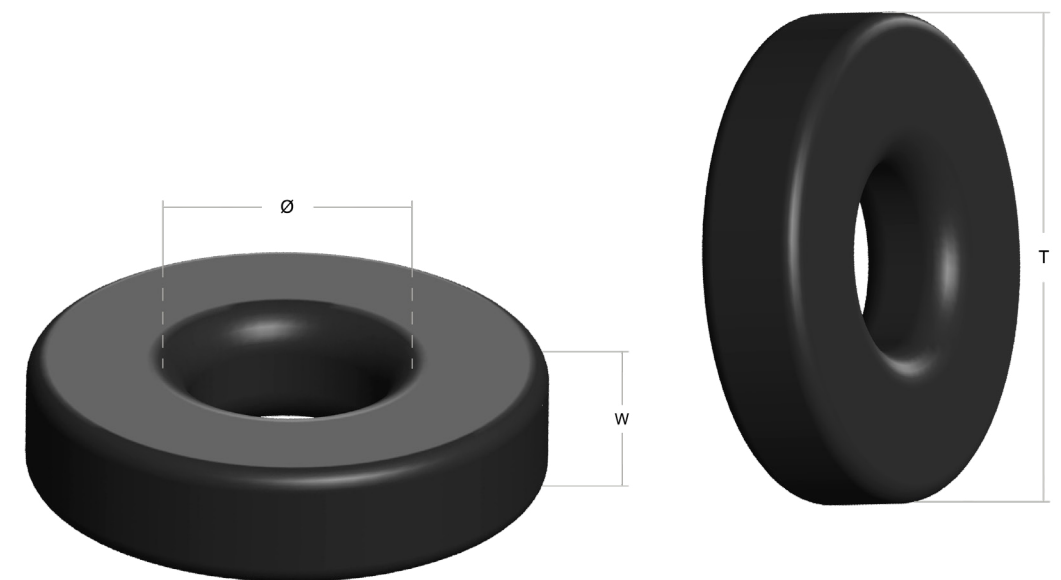
DAMAGE CONTROL

The Do-Nutt prevents a connector or shackle from getting stuck in the mast top or lock system, which will prevent any damage to the ship. It is made out of UV-resistant nylon; it will therefore not change colours due to the sun or usage.

The Do-Nutt is available in three different types that suit various rope sizes.



MEASUREMENT SHEET



Part	Approx. Halyard Ø	T	Ø	W	Weight [g]
12-DN	12	50	19	12	21
14-DN	14	50	21	12	20
22-DN	22	90	33	20	125

Dimensions in mm, unless otherwise specified.
All data approx and subject to change without notice.
Breakload approx 2x max workload

MAINTENANCE MANAGEMENT SYSTEM

LYnkMe™



APP FOR IPHONE AND ANDROID

Improve Your Management.

Self-acting: scheduling service, Certification, Maintenance-history and Identification on all your Equiplite and Synthetic.

LYnkMe™ from Equiplite — What is it?

Software app LYnkMe™ is better reflecting the self-acting world. Within this system, an NFC (Near-Field Communication) chip is injected into the full range of Equiplite Synthetic products, which connects to the cloud when scanned. It ensures that all users can have easy access to this vital information – 24/7, 365 days a year – by mobile device.

How does it work? Use a mobile device to read of all Equiplite products by easily providing the information users need about that product, all at their fingertips in a matter of seconds.

To extend your coverage further, join LYnkMe MMS account+. Adding this Maintenance Management System to a yachts management system guarantees not only close record keeping but ensures approval of both marine surveyors and insurance companies.



Set up LYnkMe™ on your
Apple device.



Set up LYnkMe™ on your
Android device.



Read out positions.

Hardware
> Engraved

Software(Synthetic)
> Red mark



Functionalities.

V.A.S.



Identification

An identification chip (NFC) will improve the management of all Equiplite soft & hardware products, just by scanning it. This gives all personal details of the past item you need in a matter of seconds.

- + Position//Function.
- + Improved management.
- + Lightening the administrative.
- + Maintenance history



Notes with LYnkMe™

Use Notes specific in each product to capture a quick thought, assign position, create checklist, custom specs, ideas, and more. And with LYnkMe™, you can keep your product range.



Maintenance management system

Lightening the administration of its user with regards to, Automatic service schedules, Certification, Maintenance-history 24/7, 365 days a year - by mobile device. A unique automatic archiving system will enable you to go back years in your maintenance.



Desk support. Protection Plan.

This plan provides priority access to Equiplite's technical support staff by smart desks, Facetime and phone 12/7 hours a day, allowing you to manage resources more efficiently, training using LYnkMe™ account+, Installation advice. improve technical response time to the SY/MY and the organization.

Join LYnkMe™ MMS™ account+. Desk Support.

LYnkMe™ MMS™ account+ coverage included support from Equiplite experts

Smart desks



Join



REPLACEMENT PRODUCTS

Tools

for servicing your hardware



TOOLS

Equiplite® finds quality and durability of paramount importance, but can not avoid the need of replacing a part. Therefore we have made servicing the product easy. With the tools you will ensure that your product remains in perfect condition which prolongs its lifespan.

SWIV-KEYS

All parts are custom

Part	Matching part
TOOL 2	10 12 14 Series

CORE-KEYS

All parts are custom

Part	Matching part
TOOL 2	10-34-4 Series
TOOL 3	12-42-5 12-47-5 14-48-6 Series
TOOL 4	18-65-7 20-70-8 Series
TOOL 5	24-80-10 26-100-10 Series
TOOL 6	28-120-12 32-135-14 36-155-18 Series
TOOL 8	40-180-22 44-210-26 Series
TOOL 10	50-240-30 Series

LYnkMe™ ACCOUNT+ & AIR-IDENTIFY™

All parts are custom

Part
LYnkMe™ Account+ & Air-Identify™
LYnkMe™ Air-Identify™

PU COATING

All parts are custom

Part	Contents (ml)
PU Coating	250

All prices are retail prices in Euro excluding VAT.
 All data approx and subject to change without notice.
 Note: Matching parts should be rounded, smooth, and with no sharp edges or burrs.

REPLACEMENT PRODUCTS

Spare parts

keep your hardware in perfect shape



VELCRO NS CONNECTORS

All parts are custom

Part	Matching part
VMAL 6-4 NS	6-4 NS
VMAL 8-5 NS	8-5 NS
VMAL 10-6 NS	10-6 NS
VMAL 12-6 NS	12-6 NS
VMAL 14-8 NS	14-8 NS
VMAL 16-10 NS	16-10 NS
VMAL 18-10 NS	18-10 NS
VMAL 20-12 NS	20-12 NS
VMAL 24-12 NS	24-12 NS
VMAL 26-12 NS	26-12 NS
VMAL 28-12 NS	28-12 NS
VMAL 16-14 NS	16-14 NS
VMAL 20-14 NS	20-14 NS
VMAL 24-14 NS	24-14 NS
VMAL 30-14 NS	30-14 NS
VMAL 32-14 NS	32-14 NS
VMAL 34-14 NS	34-14 NS
VMAL 30-16 NS	30-16 NS
VMAL 32-16 NS	32-16 NS
VMAL 34-16 NS	34-16 NS
VMAL 32-18 NS	32-18 NS
VMAL 34-18 NS	34-18 NS
VMAL 35-20 NS	35-20 NS
VMAL 42-22 NS	42-22 NS

VELCRO 4GNS CONNECTOR

All parts are custom

Part	Matching part
VMAL 24-14 4GNS	24-14 4GNS
VMAL 32-14 4GNS	32-14 4GNS
VMAL 24-16 4GNS	24-16 4GNS
VMAL 30-16 4GNS	30-16 4GNS
VMAL 34-16 4GNS	34-16 4GNS
VMAL 32-18 4GNS	32-18 4GNS
VMAL 34-18 4GNS	34-18 4GNS
VMAL 35-20 4GNS	35-20 4GNS

LOOP NS CONNECTOR

All parts are custom

Part	Matching part
LMAL 6-4 NS	6-4 NS
LMAL 8-5 NS	8-5 NS
LMAL 10-6 NS	10-6 NS
LMAL 12-6 NS	12-6 NS
LMAL 14-8 NS	14-8 NS
LMAL 16-10 NS	16-10 NS
LMAL 18-10 NS	18-10 NS
LMAL 20-12 NS	20-12 NS
LMAL 24-12 NS	24-12 NS
LMAL 26-12 NS	26-12 NS
LMAL 28-12 NS	28-12 NS
LMAL 16-14 NS	16-14 NS
LMAL 20-14 NS	20-14 NS
LMAL 24-14 NS	24-14 NS
LMAL 30-14 NS	30-14 NS
LMAL 32-14 NS	32-14 NS
LMAL 34-14 NS	34-14 NS
LMAL 30-16 NS	30-16 NS
LMAL 32-16 NS	32-16 NS
LMAL 34-16 NS	34-16 NS
LMAL 32-18 NS	32-18 NS
LMAL 34-18 NS	34-18 NS
LMAL 35-20 NS	35-20 NS
LMAL 42-22 NS	42-22 NS

LOOP 4GNS CONNECTOR

All parts are custom

Part	Matching part
LMAL 24-14 4GNS	24-14 4GNS
LMAL 32-14 4GNS	30-14 4GNS
LMAL 24-16 4GNS	24-16 4GNS
LMAL 30-16 4GNS	30-16 4GNS
LMAL 34-16 4GNS	34-16 4GNS
LMAL 32-18 4GNS	32-18 4GNS
LMAL 34-18 4GNS	34-18 4GNS
LMAL 35-20 4GNS	35-20 4GNS

NEOPREEN COVERS

All parts are custom

Part	Matching part
8 NEOP	8 Series NS and 4GNS connectors
10 NEOP	10 Series NS and 4GNS connectors
12 NEOP	12 Series NS and 4GNS connectors
14 NEOP	14 Series NS and 4GNS connectors
16 NEOP	16 Series NS and 4GNS connectors
18 NEOP	18 Series NS and 4GNS connectors
20 NEOP	20 Series NS and 4GNS connectors

All prices are retail prices in Euro excluding VAT.
 All data approx and subject to change without notice.
 Note: Matching parts should be rounded, smooth, and with no sharp edges or burrs.



VELCRO

All parts are custom

Part	Matching Part:
VSMAL 6	8-06 Series
VSMAL 8	10-08 12-08 Series
VSMAL 10	14-10 16-10 Series
VSMAL 12	18-12 20-12 Series
VSMAL 14	22-14 24-14 Series
VSMAL 16	26-16 30-16 Series
VSMAL 18	26-18 30-18 Series

LOOP

All parts are custom

Part	Matching Part:
LSMAL 6	8-06 Series
LSMAL 8	10-08 12-08 Series
LSMAL 10	14-10 16-10 Series
LSMAL 12	18-12 20-12 Series
LSMAL 14	22-14 24-14 Series
LSMAL 16	26-16 30-16 Series
LSMAL 18	26-18 30-18 Series

COMPRESSION-PIN

All parts are custom

Part	Matching part
6 CP-Pin	8-06 Series
8 CP-Pin	10-08 12-08 Series
10 CP-Pin	14-10 16-10 Series
12 CP-Pin	18-12 20-12 Series
14 CP-Pin	22-14 24-14 Series
16 CP-Pin	26-16 30-16 Series
18 CP-Pin	26-18 30-18 Series

GROOVY-PIN

All parts are custom

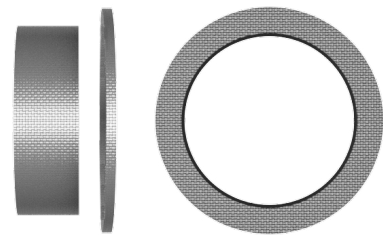
Part	Matching part
6 GP-Pin	8-06 Series
8 GP-Pin	10-08 12-08 Series
10 GP-Pin	14-10 16-10 Series
12 GP-Pin	18-12 20-12 Series
14 GP-Pin	22-14 24-14 Series
16 GP-Pin	26-16 30-16 Series
18 GP-Pin	26-18 30-18 Series

GP SPRING

All parts are custom

Part	Matching part
6 GP-Spring	8-06 Series
8 GP-Spring	10-08 12-08 Series
10 GP-Spring	14-10 16-10 Series
12 GP-Spring	18-12 20-12 Series
14 GP-Spring	22-14 24-14 Series
16 GP-Spring	26-16 30-16 Series
18 GP-Spring	26-18 30-18 Series

All prices are retail prices in Euro excluding VAT.
 All data approx and subject to change without notice.
 Note: Matching parts should be rounded, smooth, and with no sharp edges or burrs.



VELCRO

All parts are custom

Part	Matching part
VBMAL 5	12-47-5 Series
VBMAL 6	14-48-6 Series
VBMAL 7	18-65-7 Series
VBMAL 8	20-70-8 Series
VBMAL 9	18-80-10 Series
VBMAL 10	24-80-10 & 11 Series
VBMAL 10s	26-100-10 & 11 Series
VBMAL 12	28-120-12 Series
VBMAL 14	32-135-14 Series
VBMAL 18	36-155-18 Series
VBMAL 22	40-180-22 Series
VBMAL 26	44-210-26 Series
VBMAL 30	50-240-30 Series

UPSTAND VELCRO

All parts are custom

Part	Matching part
VUBMAL 12-47-5	12-47-5 Series
VUBMAL 14-48-6	14-48-6 Series
VUBMAL 18-65-7	18-65-7 Series
VUBMAL 20-70-8	20-70-8 Series
VUBMAL 18-80-10	18-80-10 Series
VUBMAL 24-80-10	24-80-10 & 11 Series
VUBMAL 26-100-10	26-100-10 & 11 Series
VUBMAL 28-120-12	28-120-12 Series
VUBMAL 32-135-14	32-135-14 Series

CB LOOP

All parts are custom

Part	Matching part
LBMAL 12-47-5	12-47-5 Series
LBMAL 14-48-6	14-48-6 Series
LBMAL 18-65-7	18-65-7 Series
LBMAL 20-70-8	20-70-8 Series
LBMAL 18-80-10	18-80-10 Series
LBMAL 24-80-10	24-80-10 & 11 Series
LBMAL 26-100-10	26-100-10 & 11 Series
LBMAL 28-120-12	28-120-12 Series
LBMAL 32-135-14	32-135-14 Series
LBMAL 36-155-18	36-155-18 Series
LBMAL 40-180-22	40-180-22 Series
LBMAL 44-210-26	44-210-26 Series
LBMAL 50-240-30	50-240-30 Series

LEAD LOOP

All parts are custom

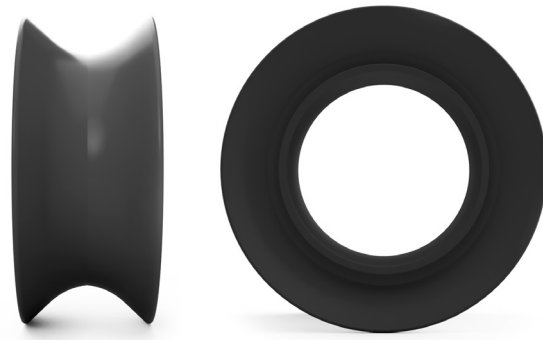
Part	Matching part
LLBMAL 12-47-5	12-47-5 Series
LLBMAL 14-48-6	14-48-6 Series
LLBMAL 18-65-7	18-65-7 Series
LLBMAL 20-70-8	20-70-8 Series
LLBMAL 18-80-10	18-80-10 Series
LLBMAL 24-80-10	24-80-10 & 11 Series
LLBMAL 26-100-10	26-100-10 & 11 Series
LLBMAL 28-120-12	28-120-12 Series
LLBMAL 32-135-14	32-135-14 Series

BEARING

All parts are custom

Part	Matching part
12-47-5-BHL	12-47-5 Series
14-48-6-BHL	14-48-6 Series
18-65-7-BHL	18-65-7 Series
20-70-8-BHL	20-70-8 Series
18-80-10-BHL	18-80-10 Series
24-80-10-BHL	24-80-10 Series
24-80-11-BHL	24-80-11 Series
26-100-10-BHL	26-100-10 Series
26-100-11-BHL	26-100-11 Series
28-120-12-BHL	28-120-12 Series
32-135-14-BHL	32-135-14 Series
36-155-18-BHL	36-155-18 Series
40-180-22-BHL	40-180-22 Series
44-210-26-BHL	44-210-26 Series
50-240-30-BHL	50-240-30 Series

All prices are retail prices in Euro excluding VAT.
 All data approx and subject to change without notice.
 Note: Matching parts should be rounded, smooth, and with no sharp edges or burrs.



SHEAVE

All parts are custom

Part	Matching part
12-47-5-SH	12-47-5 Series
14-48-6-SH	14-48-6 Series
18-65-7-SH	18-65-7 Series
20-70-8-SH	20-70-8 Series
18-80-10-SH	18-80-10 Series
24-80-10-SH	24-80-10 & 11 Series
26-100-10-SH	26-100-10 & 11 Series
28-120-12-SH	28-120-12 Series
32-135-14-SH	32-135-14 Series
36-155-18-SH	36-155-18 Series
40-180-22-SH	40-180-22 Series
44-210-26-SH	44-210-26 Series
50-240-30-SH	50-240-30 Series

Note: Sheave comes without bearings.



CARBON MOULDED SIDEPLATE

All parts are custom

Part	Matching part
12-47-5-SP-s-m	12-47-5 Series
12-47-5-SP-s-f	12-47-5 Series
14-48-6-SP-s-m	14-48-6 Series
14-48-6-SP-s-f	14-48-6 Series
18-65-7-SP-s-m	18-65-7 Series
18-65-7-SP-s-f	18-65-7 Series
20-70-8-SP-s-m	20-70-8 Series
20-70-8-SP-s-f	20-70-8 Series
18-80-10-SP-s-m	18-80-10 Series
18-80-10-SP-s-f	18-80-10 Series
24-80-10-SP-s-m	24-80-10 Series
24-80-10-SP-s-f	24-80-10 Series
24-80-11-SP-s-m	24-80-11 Series
24-80-11-SP-s-f	24-80-11 Series
26-100-10-SP-s-m	26-100-10 Series
26-100-10-SP-s-f	26-100-10 Series
26-100-11-SP-s-m	26-100-11 Series
26-100-11-SP-s-f	26-100-11 Series
28-120-12-SP-s-m	28-120-12 Series
28-120-12-SP-s-f	28-120-12 Series
32-135-14-SP-s-m	32-135-14 Series
32-135-14-SP-s-f	32-135-14 Series
36-155-18-SP-s-m	36-155-18 Series
36-155-18-SP-s-f	36-155-18 Series
40-180-22-SP-s-m	40-180-22 Series
40-180-22-SP-s-f	40-180-22 Series
44-210-26-SP-s-m	44-210-26 Series
44-210-26-SP-s-f	44-210-26 Series
50-240-30-SP-s-m	50-240-30 Series
50-240-30-SP-s-f	50-240-30 Series

SP-s-m = Side plate inc. spacer male
 SP-s-f = Side plate inc. spacer female



BUNGEE BECKET

All parts are custom

Part	Matching part
BBBMAL 20-70-8	20-70-8 Series
BBBMAL 24-80-10	24-80-10 & 11 Series
BBBMAL 26-100-10	26-100-10 & 11 Series
BBBMAL 28-120-12	28-120-12 Series
BBBMAL 32-135-14	32-135-14 Series
BBBMAL 36-155-18	36-155-18 Series

All prices are retail prices in Euro excluding VAT.
 All data approx and subject to change without notice.
 Note: Matching parts should be rounded, smooth, and with no sharp edges or burrs.



VELCRO

All parts are custom

Part	Matching part
VTSMAL 6	6 TS
VTSMAL 8	8 TS
VTSMAL 10	10 TS
VTSMAL 12	12 TS
VTSMAL 14	14 TS
VTSMAL 18	18 TS
VTSMAL 22	22 TS
VTSMAL 40	40 TS

BOTTOM LOOP

All parts are custom

Part	Matching part
LTSMAL 6	6 TS
LTSMAL 8	8 TS
LTSMAL 10	10 TS
LTSMAL 12	12 TS
LTSMAL 14	14 TS
LTSMAL 18	18 TS
LTSMAL 22	22 TS
LTSMAL 40	40 TS

1:1 LOOP

All parts are custom

Part	Matching part
1-1LTSMAL 6	6 TS
1-1LTSMAL 8	8 TS
1-1LTSMAL 10	10 TS
1-1LTSMAL 12	12 TS
1-1LTSMAL 14	14 TS
1-1LTSMAL 18	18 TS
1-1LTSMAL 22	22 TS
1-1LTSMAL 40	40 TS

COMPRESSION-PIN

All parts are custom

Part	Matching part
6 CP-Pin	6 TS Series
8 CPTS-Pin	8 TS Series
10 CP-Pin	10 TS Series
12/14 CPTS-pin	12/14 TS Series
18 CP-Pin	18 TS Series
22 CP-Pin	22 TS Series
40 CP-Pin	40 TS Series

GROOVY-PIN

All parts are custom

Part	Matching part
6 GP-Pin	7 TS Series
8 GPTS-Pin	8 TS Series
10 GP-Pin	10 TS Series
12/14 GPTS-pin	12/14 TS Series
18 GP-Pin	18 TS Series
22 GP-Pin	22 TS Series
40 GP-Pin	40 TS Series

GP SPRING

All parts are custom

Part	Matching part
6 GP-Spring	6 TS Series
8 GP-Spring	8 TS Series
10 GP-Spring	10 TS Series
12 GP-Spring	12 TS Series
14 GP-Spring	14 TS Series
18 GP-Spring	18 TS Series
22 GP-Spring	22 TS Series
40 GP-Spring	40 TS Series

All prices are retail prices in Euro excluding VAT.
 All data approx and subject to change without notice.
 Note: Matching parts should be rounded, smooth, and with no sharp edges or burrs.



VELCRO

All parts are custom

Part	Matching part
VMAL 10-4 IF	10-4 IF
VMAL 14-6 IF	14-6 IF
VMAL 20-10 IF	20-10 IF
VMAL 30-12 IF	30-12 IF
VMAL 40-12 IF	40-12 IF

LOOP

All parts are custom

Part	Matching part
LMAL 10-4 IF	10-4 IF
LMAL 14-6 IF	14-6 IF
LMAL 20-10 IF	20-10 IF
LMAL 30-12 IF	30-12 IF
LMAL 40-12 IF	40-12 IF

All prices are retail prices in Euro excluding VAT.
 All data approx and subject to change without notice.
 Note: Matching parts should be rounded, smooth, and with no sharp edges or burrs.

Copyright | All content is copyright 2002-2030 by:
Sailingperfection Group of Companies

All images are copyright by:
Sailingperfection Group of Companies
except where mentioned.

Equiplite®
Leerlooiersstraat 6
8601 WK SNEEK
The Netherlands
T: +31 515 41 76 34
W: www.equiplite.com
E: sales@equiplite.com

Equiplite®