

# AirRUN™ block

Innovation taken to new altitude



# The ultimate rig appliances



## AirRUN™ blocks

High-strength material, less friction, impact resistant. The VHi load Equiplite AirRUN™LASH & AirRUN™SYNTHETic block are produced using carbon composite side plates with high-tensile hard coated anodized aluminum body and sheave. The bearing is designed for VHi Loads and reduces friction.

- Wider plain allow increased radial loads.
- Blocks take both radial and side loads.
- A slightly wider Equiplite AirRUN™block can achieve approximately 2x the load for a given size, weight and cost compared to traditional blocks.
- Weight savings of 60-70% and more compact block.
- Certified synthetic and hardware according to the guidelines of VCA & EU DECLARATION OF CONFORMITY including
  - + ISO-9001:2000 Preload certificate, NEN-EN 1090
  - + ISO-9001:2000 Breaking load certificate, NEN-EN 1090

For these VHL Blocks we use high load, low friction plain bearings with 94% efficiency (dry operation).

Range from 8t up to 160t MWL.



### USED ON:

For Runners  
Babystay  
  
Checkstays  
Running backstays

**AirRUN™ SYNTHETic**

## AirRUN™SYNTHETic block

Molded from synthetic fiber SK, it is lightweight and flexible. It has a AIRplain aluminium collar that secures the synthetic loop through the tubes for a hypersecure fit, for unreachable height.

### **Safety never stops**

Including all safety warnings you expect from an Equiplite block.

## AirRUN™LASH block

is a compact solution that creates less windage and is used in permanent positions.

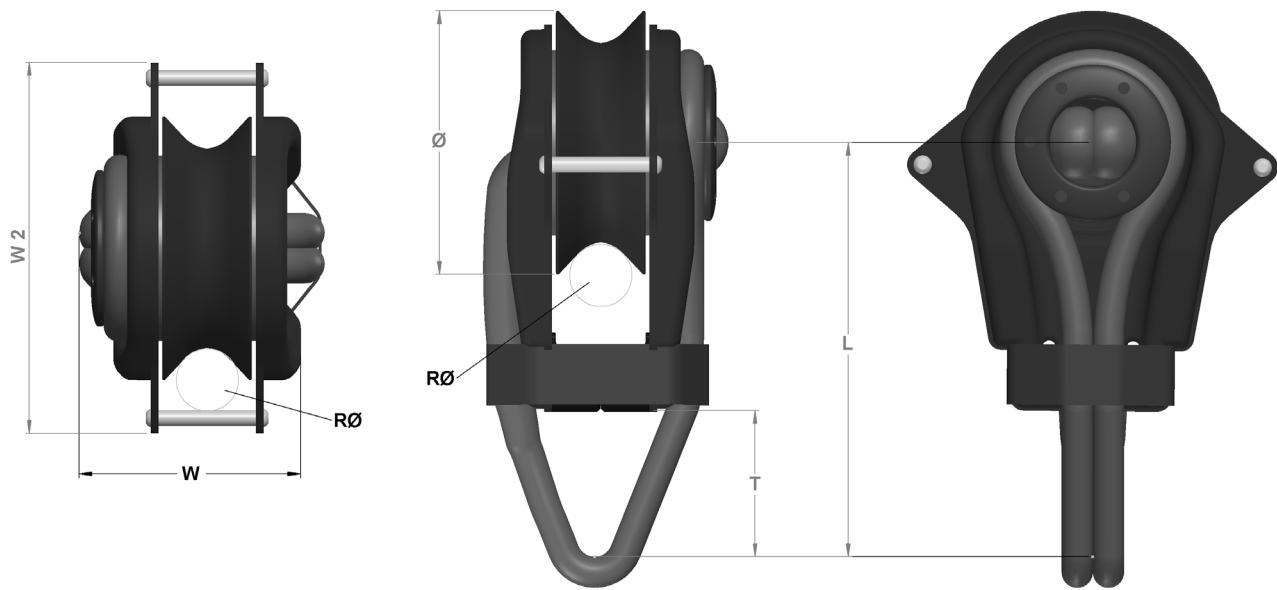


**AirRUN™ LASH**

### **USED ON:**

For Runners  
Babystay  
Checkstays  
Running backstays



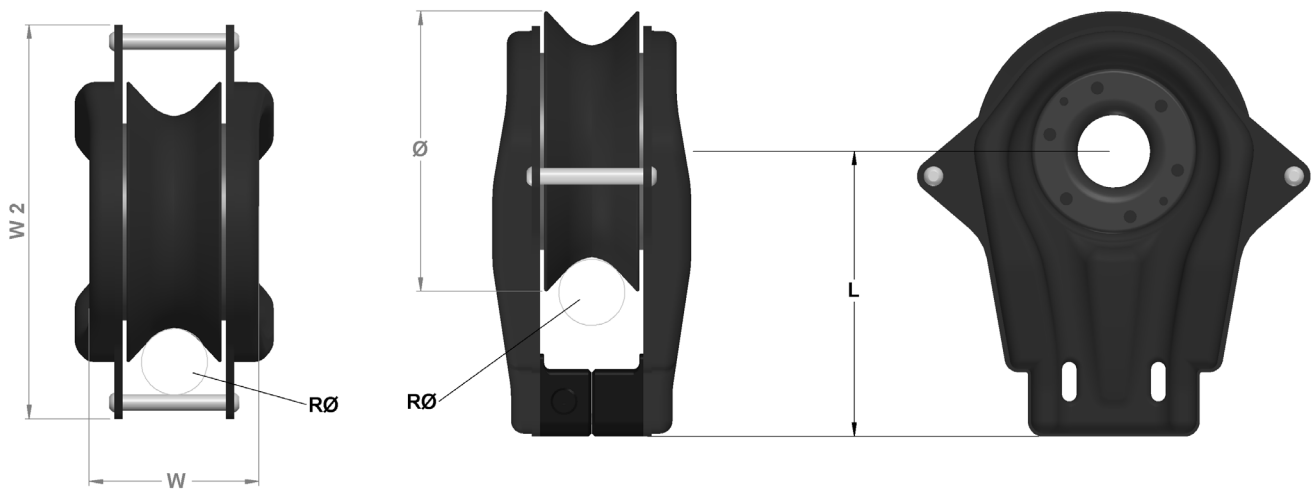


## AirRUN™ SYNTHETic block

Part	Sheave (Ø)	Width	Width-2	Length	Throat*	Max. Line (Ø)	Weight (g)	MWL (kg)
20-70-8 ARS	70	57	112	115	35	20	460	8.000
24-80-10 ARS	80	65	130	140	45	24	610	9.500
26-100-10 ARS	100	74	145	150	50	26	970	11.000
28-120-12 ARS	120	82	170	181	60	28	1.695	16.000
32-135-14 ARS	135	93	190	196	75	32	1.950	20.000
36-155-18 ARS	155	110	215	216	80	36	2.550	30.000
40-180-22 ARS	180	135	250	239	83	40	3.000	40.000
44-210-26 ARS	210	151	on request	264	85	44	3.500	55.000
50-240-30 ARS	240	196	on request	292	88	50	4.000	75.000

\*Custom troath lengths available  
 Dimensions in mm, unless otherwise specified.  
 All data approx and subject to change without notice.  
 Breakload approx 2x max workload

# MEASUREMENT SHEET



## AirRUN™ LASH block

Part	Sheave (Ø)	Width	Width-2	Lenght	Max. Line (Ø)	Weight (g)	MWL (kg)
20-70-8 ARL	70	47	112	68	20	330	8.000
24-80-10 ARL	80	51	130	77	24	440	9.500
26-100-10 ARL	100	60	145	86	26	805	11.000
28-120-12 ARL	120	65	170	108	28	1.130	16.000
32-135-14 ARL	135	70	190	115	32	1.300	20.000
36-155-18 ARL	155	82	215	126	36	1.700	30.000
40-180-22 ARL	180	104	250	137	40	2.000	40.000
44-210-26 ARL	210	112	on request	149	44	2.335	55.000
50-240-30 ARL	240	132	on request	162	50	2.670	75.000

Dimensions in mm, unless otherwise specified.  
 All data approx and subject to change without notice.  
 Breakload approx 2x max workload

Copyright | All content is copyright 2002-2030 by:  
Sailingperfection Group of Companies

All images are copyright by:  
Sailingperfection Group of Companies  
except where mentioned.

**Equiplite®**  
Leerlooiersstraat 6  
8601 WK SNEEK  
The Netherlands

T: +31 (0)515 41 76 34  
W: [www.equiplite.com](http://www.equiplite.com)  
E: [info@equiplite.com](mailto:info@equiplite.com)

**Equiplite®**